

ACOUSTIC SIGNALLERS

series
ETH

Protection	Gas	Zone	1-2	II2G	Ex d IIB T6÷T5
	Dusts		n.a.	n.a.	n.a.

Degree of Protection	IP55
----------------------	------

Amb. Temp.	Standard	-20°C	+40°C



Entries Threading	EN 10226 (Gk)
-------------------	---------------

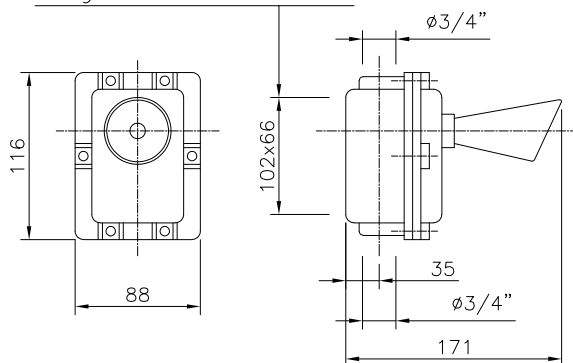
Material	Aluminum light alloy
----------	----------------------

Painting	External epoxy RAL7000
----------	------------------------

Standards and Certificates	Directive 2014/34/EU (ATEX)
	EN 60079-0 • EN 60079-1
	CEC 10 ATEX 073

- Vibrating membrane signaller with loudspeaker.
- Continuous duty.

Dim. di fissaggio 4 fori M5
Fixing dimensions 4 holes M5



Code	Voltage (V c.a.)	Power (VA)	Sound Intensity dB(2m)	Weight (kg)
ETH 01	12	35	95÷110	2,2
ETH 1	24	115	95÷110	2,2
ETH 2	48	110	95÷110	2,2
ETH 3	110	70	95÷110	2,2
ETH 4	220	75	95÷110	2,2

NOTES

- The acoustic signallers series ETH are suitable only for AC voltages.
- The temperature Class T6 is related to an Ambient Temperature (A.T.) up to +40°C, while Class T5 to an A.T. extended up to +60°C.

ACOUSTIC SIGNALLERS

series
ETR

Protection	Gas	Zone	1-2	II2G	Ex d IIB T6÷T5
	Dusts		n.a.	n.a.	n.a.

Degree of Protection	IP55
----------------------	------

Amb. Temp.	Standard	-20°C	+40°C



Entries Threading	EN 10226 (Gk)
-------------------	---------------

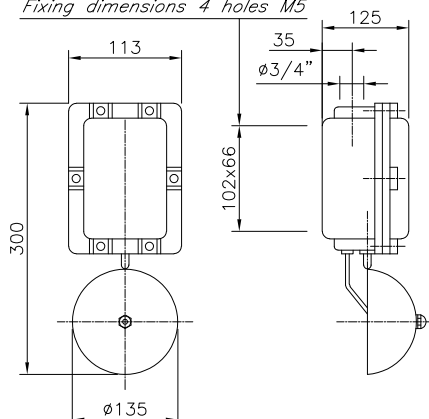
Material	Aluminum light alloy
----------	----------------------

Painting	External epoxy RAL7000
----------	------------------------

Standards and Certificates	Directive 2014/34/EU (ATEX)
	EN 60079-0 • EN 60079-1
	CEC 10 ATEX 073

- Bell type signalling.
- Continuous duty.

Dim. di fissaggio 4 fori M5
Fixing dimensions 4 holes M5



Code	Voltage (V c.a.)	Power (VA)	Sound Intensity dB(2m)	Weight (kg)
ETR 12	12	35	90÷105	2,5
ETR 24	24	55	90÷105	2,5
ETR 48	48	70	90÷105	2,5
ETR 110	110	40	90÷105	2,5
ETR 220	220	40	90÷105	2,5

NOTE

- The acoustic signallers series ETR are suitable only for AC voltages.
- The temperature Class T6 is related to an Ambient Temperature (A.T.) up to +40°C, while Class T5 to an A.T. extended up to +60°C.