

CABLE GLANDS SINGLE COMPRESSION for ARMoured CABLE

series
PA

Protection	Gas	1-2	II2G	Ex d IIC Gb / Ex e IIC Gb
	Dust	21-22	II2D	Ex tb IIIC Db

Degree of Protection
IP66

Amb. Temp.	Standard	-40°C	+100°C
	Extended	-60°C	+180°C



Entries Threading
NPT ANSI B1.20 (N)
or
Metric ISO 262 (M)

Material
Nickel plated Brass.
EPDM Rings.

Standards and Certificates

Directive 2014/34/EU (ATEX)

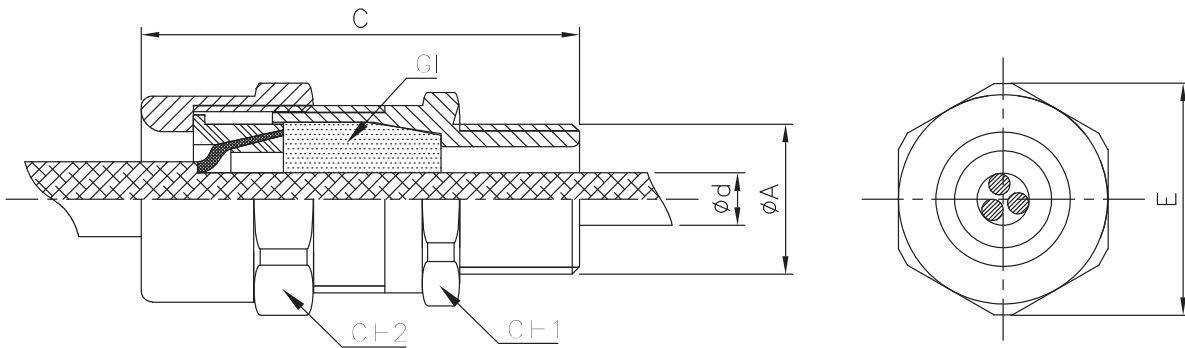
EN 60079 - 0 • EN 60079 - 1
EN 60079 - 7 • EN 60079 - 31

CE INERIS 10 ATEX 0029X

IEC 60079 - 0 • IEC 60079 - 1
IEC 60079 - 7 • IEC 60079 - 31

IECEx INE 14.0003X

- Options**
- Material: Stainless Steel AISI 316L (see page I25).
 - KIT: cable gland supplied with whole range of available rings.
 - Accessories: see page H13.
 - Silicon rings.



NOTES

For the optimum choice of the cable glands see also sect. A

Extended temperature range only with Silicon rings.

NPT ANSI B1.20			METRIC ISO 262			CH1	CH2	E	GI	Ød cable (mm)	Weight (kg)
Code	ØA	C	Code	ØA	C						
PA1N7B	1/2" NPT	61	PA1I7B	M20x1.5	59	26	28	31	1GI1	4 ÷ 7	0,135
PA1N9B	"	"	PA1I9B	"	"	"	"	"	1GI2	7 ÷ 9,5	"
PA1N12B	"	"	PA1I12B	"	"	"	"	"	1GI3	9 ÷ 12	"
PA2N12B	3/4" NPT	61	PA2I12B	M25x1.5	59	31	34	37	2GI1	9 ÷ 12	0,173
PA2N14B	"	"	PA2I14B	"	"	"	"	"	2GI2	12 ÷ 14,5	"
PA2N17B	"	"	PA2I17B	"	"	"	"	"	2GI3	14 ÷ 17	"
PA3N17B	1" NPT	75	PA3I17B	M32x1.5	68	42	45	49	3GI1	14 ÷ 17	0,385
PA3N20B	"	"	PA3I20B	"	"	"	"	"	3GI2	17 ÷ 20	"
PA3N23B	"	"	PA3I23B	"	"	"	"	"	3GI3	20 ÷ 23	"
PA4N23B	1.1/4" NPT	75	PA4I23B	M40x1.5	70	46	48	53	4GI1	20 ÷ 23	0,429
PA4N26B	"	"	PA4I26B	"	"	"	"	"	4GI2	23 ÷ 26	"
PA4N29B	"	"	PA4I29B	"	"	"	"	"	4GI3	26 ÷ 29	"
PA5N23B	1.1/2" NPT	75	PA5I23B	M50x1.5	70	56	58	64	5GI1	20 ÷ 23	0,655
PA5N26B	"	"	PA5I26B	"	"	"	"	"	5GI2	23 ÷ 26	"
PA5N29B	"	"	PA5I29B	"	"	"	"	"	5GI3	26 ÷ 29	"
PA5N32B	"	"	PA5I32B	"	"	"	"	"	5GI4	29 ÷ 32	"
PA5N35B	"	"	PA5I35B	"	"	"	"	"	5GI5	32 ÷ 35	"
PA6N39B	2" NPT	75	PA6I39B	M63x1.5	70	65	68	75	6GI1	35 ÷ 39	0,830
PA6N42B	"	"	PA6I42B	"	"	"	"	"	6GI2	39 ÷ 42	"
PA6N45B	"	"	PA6I45B	"	"	"	"	"	6GI3	42 ÷ 45	"

Example: PA3N20B

Order Coding

Type PA	Size 1/2/3/4/5/6	Threadings N = NPT ANSI B1.20 I = Metric ISO 262	Max Cable Diameter See Ød cable in the table	Material B = Nickel Plated Brass S = Stainless Steel AISI 316L
-------------------	----------------------------	--	--	--

CABLE GLANDS for NOT ARMoured CABLE

series
PA

Protection	Gas	1-2	II2G	Ex d IIC Gb / Ex e IIC Gb
	Dust	21-22	II2D	Ex tb IIIC Db

Degree of Protection
IP66

Amb. Temp.	Standard	-40°C	+100°C
	Extended	-60°C	+180°C



Enables Threading
NPT ANSI B1.20 (N) or Metric ISO 262 (M)

Material
Stainless Steel AISI 316L. EPDM Rings.

Standards and Certificates

Directive 2014/34/EU (ATEX)

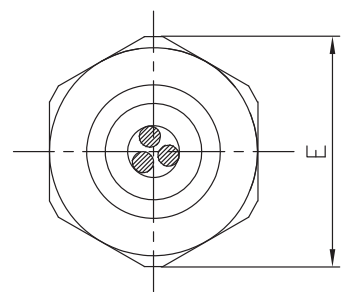
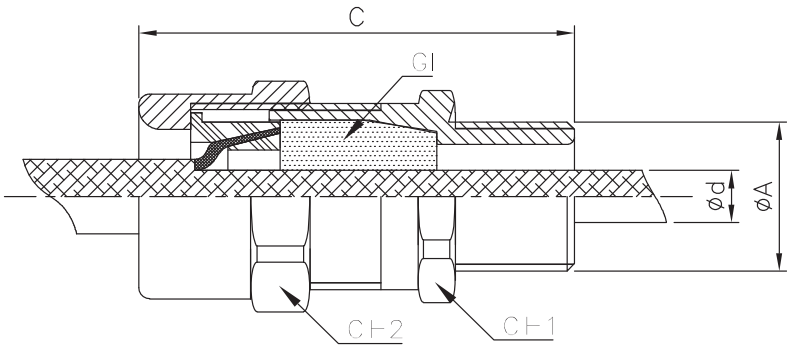
EN 60079 - 0 • EN 60079 - 1
EN 60079 - 7 • EN 60079 - 31

CE INERIS 10 ATEX 0029X

IEC 60079 - 0 • IEC 60079 - 1
IEC 60079 - 7 • IEC 60079 - 31

IECEx INE 14.0003X

- Options**
- Material: Nickel plated brass (see page H07).
 - KIT: cable gland supplied with whole range of available rings.
 - Accessories: see page H13.
 - Silicon rings.



NOTES

For the optimum choice of the cable glands see also sect. A

Extended temperature range only with Silicon rings.

NPT ANSI B1.20			METRIC ISO 262			CH1	CH2	E	GI	Ød cable (mm)	Weight (kg)
Code	ØA	C	Code	ØA	C						
PA1N7S	1/2" NPT	61	PA1I7S	M20x1.5	59	26	28	31	1GI1	4 ÷ 7	0,135
PA1N9S	"	"	PA1I9S	"	"	"	"	"	1GI2	7 ÷ 9,5	"
PA1N12S	"	"	PA1I12S	"	"	"	"	"	1GI3	9 ÷ 12	"
PA2N12S	3/4" NPT	61	PA2I12S	M25x1.5	59	31	34	37	2GI1	9 ÷ 12	0,173
PA2N14S	"	"	PA2I14S	"	"	"	"	"	2GI2	12 ÷ 14,5	"
PA2N17S	"	"	PA2I17S	"	"	"	"	"	2GI3	14 ÷ 17	"
PA3N17S	1" NPT	75	PA3I17S	M32x1.5	68	42	45	49	3GI1	14 ÷ 17	0,385
PA3N20S	"	"	PA3I20S	"	"	"	"	"	3GI2	17 ÷ 20	"
PA3N23S	"	"	PA3I23S	"	"	"	"	"	3GI3	20 ÷ 23	"
PA4N23S	1.1/4" NPT	75	PA4I23S	M40x1.5	70	46	48	53	4GI1	20 ÷ 23	0,429
PA4N26S	"	"	PA4I26S	"	"	"	"	"	4GI2	23 ÷ 26	"
PA4N29S	"	"	PA4I29S	"	"	"	"	"	4GI3	26 ÷ 29	"
PA5N23S	1.1/2" NPT	75	PA5I23S	M50x1.5	70	56	58	64	5GI1	20 ÷ 23	0,655
PA5N26S	"	"	PA5I26S	"	"	"	"	"	5GI2	23 ÷ 26	"
PA5N29S	"	"	PA5I29S	"	"	"	"	"	5GI3	26 ÷ 29	"
PA5N32S	"	"	PA5I32S	"	"	"	"	"	5GI4	29 ÷ 32	"
PA5N35S	"	"	PA5I35S	"	"	"	"	"	5GI5	32 ÷ 35	"
PA6N39S	2" NPT	75	PA6I39S	M63x1.5	70	65	68	75	6GI1	35 ÷ 39	0,830
PA6N42S	"	"	PA6I42S	"	"	"	"	"	6GI2	39 ÷ 42	"
PA6N45S	"	"	PA6I45S	"	"	"	"	"	6GI3	42 ÷ 45	"

Example: PA3N20S

Order Coding

Type: **PA**

Size: **1/2/3/4/5/6**

Threadings: **N = NPT ANSI B1.20**
I = Metric ISO 262

Max Cable Diameter: See **Ød cable** in the table

Material: **S = Stainless Steel AISI 316L**
B = Nickel Plated Brass