

SEALING CABLE GLANDS for ARMoured CABLES

series
PMAX

Protection	Gas	1-2	II2G	Ex d IIC Gb / Ex e IIC Gb
	Dusts	Zone 21-22	II2D	Ex tb IIIC Db

Degree of Protection
IP66

Amb. Temp.	Standard	-40°C	+100°C
	Extended	-60°C	+180°C



Entries Threading
NPT ANSI B1.20 (N) or Metric ISO 262 (M)

Material
Nickel plated Brass. EPDM Rings.

Standards and Certificates

Directive 2014/34/EU (ATEX)

EN 60079 - 0 • EN 60079 - 1
EN 60079 - 7 • EN 60079 - 31

CE INERIS 10 ATEX 0029X

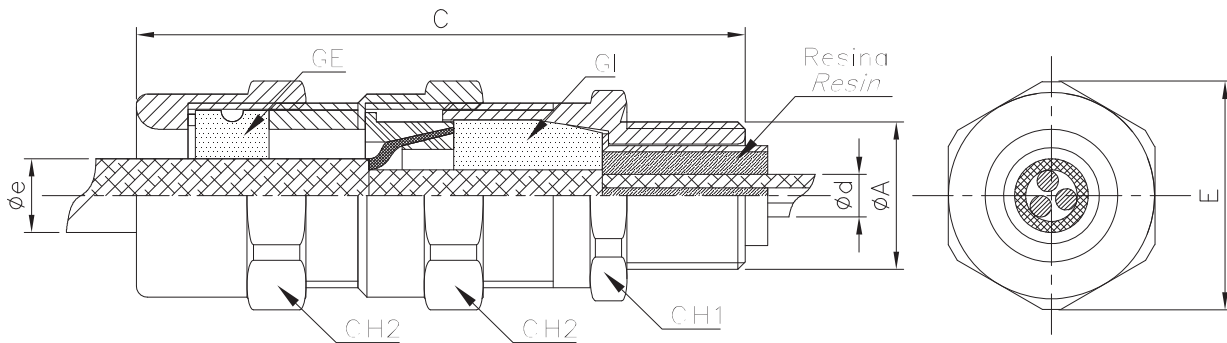
IECEX

IEC 60079 - 0 • IEC 60079 - 1
IEC 60079 - 7 • IEC 60079 - 31

IECEX INE 14.0003X

Options

- Material: Stainless Steel AISI 316L (see page I27).
- KIT: cable glands supplied with whole range of available rings.
- Accessories: see page H13.
- Silicon rings.



NOTES

For the optimum choice of the cable glands see also sect. A.

Extended temperature range only with Silicon rings.

Further information on resin on page H14.

NPT ANSI B1.20			METRIC ISO 262			CH1	CH2	E	GI	ød sheath (mm)	GE	øe cable (mm)	Weight (kg)
Code	ØA	C	Code	ØA	C								
PMAX1N710B	1/2" NPT	85	PMAX1I710B	M20x1.5	83	26	28	31	1GI1	4 ÷ 7	1GE1	6 ÷ 10	0,198
PMAX1N913B	"	"	PMAX1I913B	"	"	"	"	"	1GI2	7 ÷ 9,5	1GE2	10 ÷ 13	"
PMAX1N1218B	"	"	PMAX1I1218B	"	"	"	"	"	1GI3	9 ÷ 12	1GE3	13 ÷ 18	"
PMAX2N1218B	3/4" NPT	85	PMAX2I1218B	M25x1.5	83	31	34	37	2GI1	9 ÷ 12	2GE1	13 ÷ 18	0,262
PMAX2N1418B	"	"	PMAX2I1418B	"	"	"	"	"	2GI2	12 ÷ 14,5	2GE1	13 ÷ 18	"
PMAX2N1723B	"	"	PMAX2I1723B	"	"	"	"	"	2GI3	14 ÷ 17	2GE2	18 ÷ 23	"
PMAX3N1723B	1" NPT	106	PMAX3I1723B	M32x1.5	99	42	45	49	3GI1	14 ÷ 17	3GE1	18 ÷ 23	0,566
PMAX3N2026B	"	"	PMAX3I2026B	"	"	"	"	"	3GI2	17 ÷ 20	3GE2	21 ÷ 26	"
PMAX3N2330B	"	"	PMAX3I2330B	"	"	"	"	"	3GI3	20 ÷ 23	3GE3	24 ÷ 30	"
PMAX4N2330B	1.1/4" NPT	106	PMAX4I2330B	M40x1.5	101	46	48	53	4GI1	20 ÷ 23	4GE1	24 ÷ 30	0,624
PMAX4N2635B	"	"	PMAX4I2635B	"	"	"	"	"	4GI2	23 ÷ 26	4GE2	29 ÷ 35	"
PMAX4N2935B	"	"	PMAX4I2935B	"	"	"	"	"	4GI3	26 ÷ 29	4GE3	29 ÷ 35	"
PMAX5N2331B	1.1/2" NPT	106	PMAX5I2331B	M50x1.5	101	56	58	64	5GI1	20 ÷ 23	5GE1	26 ÷ 31	0,914
PMAX5N2637B	"	"	PMAX5I2637B	"	"	"	"	"	5GI2	23 ÷ 26	5GE2	31 ÷ 37	"
PMAX5N2937B	"	"	PMAX5I2937B	"	"	"	"	"	5GI3	26 ÷ 29	5GE2	31 ÷ 37	"
PMAX5N3243B	"	"	PMAX5I3243B	"	"	"	"	"	5GI4	29 ÷ 32	5GE3	36 ÷ 43	"
PMAX5N3543B	"	"	PMAX5I3543B	"	"	"	"	"	5GI5	32 ÷ 35	5GE3	36 ÷ 43	"
PMAX6N3946B	2" NPT	106	PMAX6I3946B	M63x1.5	101	65	68	75	6GI1	35 ÷ 39	6GE1	42 ÷ 46	1,087
PMAX6N4249B	"	"	PMAX6I4249B	"	"	"	"	"	6GI2	39 ÷ 42	6GE2	45 ÷ 49	"
PMAX6N4552B	"	"	PMAX6I4552B	"	"	"	"	"	6GI3	42 ÷ 45	6GE3	48 ÷ 52	"

Example: PMAX3N2026B

Order Coding

Type PMAX	Size 1/2/3/4/5/6	Threading N = NPT ANSI B1.20 I = Metric ISO 262	Max. Sheath Diameter below the armour See Ød sheath in the table	Max. Diameter Armoured Cable See Øe cable in the table	Material B = Nickel plated Brass S = Stainless Steel AISI 316L
---------------------	----------------------------	---	--	--	--

SEALING CABLE GLANDS for ARMoured CABLES

series
PMAX

Protection	Gas	1-2	II2G	Ex d IIC Gb / Ex e IIC Gb
	Dusts	21-22	II2D	Ex tb IIIC Db

Degree of Protection	IP66
----------------------	------

Amb. Temp.	Standard	-40°C	+100°C
	Extended	-60°C	+180°C



Entries Threading	NPT ANSI B1.20 (N) or Metric ISO 262 (M)
-------------------	--

Material	Stainless Steel AISI 316L. EPDM Rings.
----------	--

Standards and Certificates

Directive 2014/34/EU (ATEX)

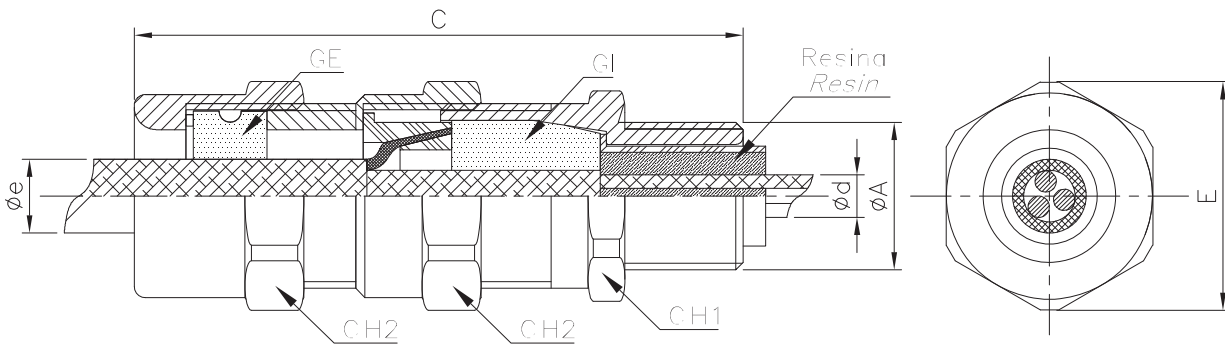
EN 60079 - 0 • EN 60079 - 1
EN 60079 - 7 • EN 60079 - 31

INERIS 10 ATEX 0029X

IEC 60079 - 0 • IEC 60079 - 1
IEC 60079 - 7 • IEC 60079 - 31

IECEx INE 14.0003X

- Options**
- Material: Nickel plated Brass (see page H09).
 - KIT: cable glands supplied with whole range of available rings.
 - Accessories: see page H13.
 - Silicon rings.



NOTES

For the optimum choice of the cable glands see also sect. A.

Extended temperature range only with Silicon rings.

Further information on resin on page H14.

NPT ANSI B1.20			METRIC ISO 262			CH1	CH2	E	GI	Ød sheath (mm)	GE	Øe cable (mm)	Weight (kg)
Code	ØA	C	Code	ØA	C								
PMAX1N710S	1/2" NPT	85	PMAX1I710S	M20x1.5	83	26	28	31	1GI1	4 ÷ 7	1GE1	6 ÷ 10	0,198
PMAX1N913S	"	"	PMAX1I913S	"	"	"	"	"	1GI2	7 ÷ 9,5	1GE2	10 ÷ 13	"
PMAX1N1218S	"	"	PMAX1I1218S	"	"	"	"	"	1GI3	9 ÷ 12	1GE3	13 ÷ 18	"
PMAX2N1218S	3/4" NPT	85	PMAX2I1218S	M25x1.5	83	31	34	37	2GI1	9 ÷ 12	2GE1	13 ÷ 18	0,262
PMAX2N1418S	"	"	PMAX2I1418S	"	"	"	"	"	2GI2	12 ÷ 14,5	2GE1	13 ÷ 18	"
PMAX2N1723S	"	"	PMAX2I1723S	"	"	"	"	"	2GI3	14 ÷ 17	2GE2	18 ÷ 23	"
PMAX3N1723S	1" NPT	106	PMAX3I1723S	M32x1.5	99	42	45	49	3GI1	14 ÷ 17	3GE1	18 ÷ 23	0,566
PMAX3N2026S	"	"	PMAX3I2026S	"	"	"	"	"	3GI2	17 ÷ 20	3GE2	21 ÷ 26	"
PMAX3N2330S	"	"	PMAX3I2330S	"	"	"	"	"	3GI3	20 ÷ 23	3GE3	24 ÷ 30	"
PMAX4N2330S	1.1/4" NPT	106	PMAX4I2330S	M40x1.5	101	46	48	53	4GI1	20 ÷ 23	4GE1	24 ÷ 30	0,624
PMAX4N2635S	"	"	PMAX4I2635S	"	"	"	"	"	4GI2	23 ÷ 26	4GE2	29 ÷ 35	"
PMAX4N2935S	"	"	PMAX4I2935S	"	"	"	"	"	4GI3	26 ÷ 29	4GE3	29 ÷ 35	"
PMAX5N2331S	1.1/2" NPT	106	PMAX5I2331S	M50x1.5	101	56	58	64	5GI1	20 ÷ 23	5GE1	26 ÷ 31	0,914
PMAX5N2637S	"	"	PMAX5I2637S	"	"	"	"	"	5GI2	23 ÷ 26	5GE2	31 ÷ 37	"
PMAX5N2937S	"	"	PMAX5I2937S	"	"	"	"	"	5GI3	26 ÷ 29	5GE2	31 ÷ 37	"
PMAX5N3243S	"	"	PMAX5I3243S	"	"	"	"	"	5GI4	29 ÷ 32	5GE3	36 ÷ 43	"
PMAX5N3543S	"	"	PMAX5I3543S	"	"	"	"	"	5GI5	32 ÷ 35	5GE3	36 ÷ 43	"
PMAX6N3946S	2" NPT	106	PMAX6I3946S	M63x1.5	101	65	68	75	6GI1	35 ÷ 39	6GE1	42 ÷ 46	1,087
PMAX6N4249S	"	"	PMAX6I4249S	"	"	"	"	"	6GI2	39 ÷ 42	6GE2	45 ÷ 49	"
PMAX6N4552S	"	"	PMAX6I4552S	"	"	"	"	"	6GI3	42 ÷ 45	6GE3	48 ÷ 52	"

Example: PMAX3N2026S

Order Coding	Type	Size	Threading	Max. Sheath Diameter below the armour	Max. Diameter Armoured Cable	Material
	PMAX	1/2/3/4/5/6	N = NPT ANSI B1.20 I = Metric ISO 262	See Ød sheath in the table	See Øe cable in the table	S = Stainless Steel AISI 316L B = Nickel plated Brass