

SEALING CABLE GLANDS for NOT ARMoured CABLE

series
PMX

Protection	Gas	Zone	1-2	II2G	Ex d IIC Gb / Ex e IIC Gb
	Dust	Zone	21-22	II2D	Ex tb IIIC Db

Degree of Protection	IP66
----------------------	------

Amb. Temp.	Standard	-40°C	+100°C
	Extended	-60°C	+180°C



Entries Threading	NPT ANSI B1.20 (N) or Metric ISO 262 (M)
-------------------	--

Material	Nickel plated Brass. EPDM Rings.
----------	----------------------------------

Standards and Certificates



Directive 2014/34/EU (ATEX)

EN 60079 - 0 • EN 60079 - 1
EN 60079 - 7 • EN 60079 - 31



INERIS 10 ATEX 0029X

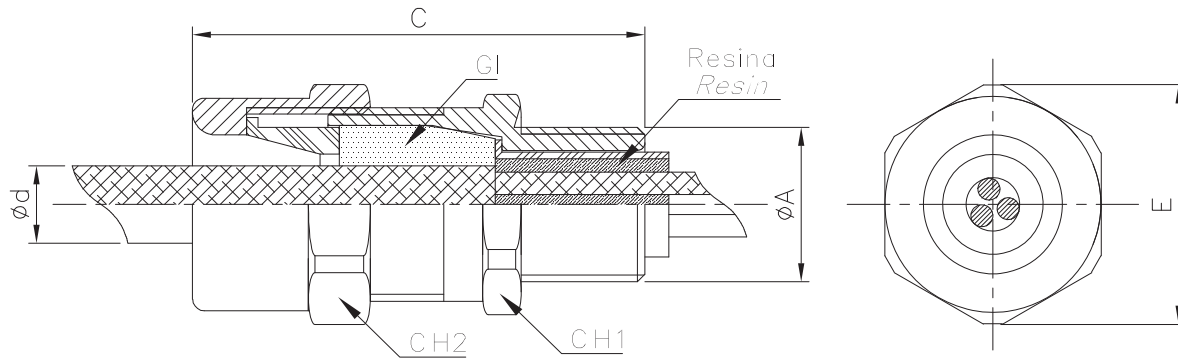


IEC 60079 - 0 • IEC 60079 - 1
IEC 60079 - 7 • IEC 60079 - 31

IECEx INE 14.0003X

Options

- Material: Stainless Steel AISI 316L (see page I26).
- Accessories: see page H13.
- KIT: cable gland supplied with whole range of available rings.
- Silicon rings.



NOTES

For the optimum choice of the cable glands see also sect. A

Extended temperature range only with Silicon rings.

Further information on resin on page H14.

NPT ANSI B1.20			METRIC ISO 262			CH1	CH2	E	GI	Ød cable (mm)	Weight (kg)
Code	ØA	C	Code	ØA	C						
PMX1N7B	1/2" NPT	61	PMX1I7B	M20x1.5	59	26	28	31	1GI1	4 ÷ 7	0,142
PMX1N9B	"	"	PMX1I9B	"	"	"	"	"	1GI2	7 ÷ 9,5	"
PMX1N12B	"	"	PMX1I12B	"	"	"	"	"	1GI3	9 ÷ 12	"
PMX2N12B	3/4" NPT	61	PMX2I12B	M25x1.5	59	31	34	37	2GI1	9 ÷ 12	0,183
PMX2N14B	"	"	PMX2I14B	"	"	"	"	"	2GI2	12 ÷ 14,5	"
PMX2N17B	"	"	PMX2I17B	"	"	"	"	"	2GI3	14 ÷ 17	"
PMX3N17B	1" NPT	75	PMX3I17B	M32x1.5	68	42	45	49	3GI1	14 ÷ 17	0,405
PMX3N20B	"	"	PMX3I20B	"	"	"	"	"	3GI2	17 ÷ 20	"
PMX3N23B	"	"	PMX3I23B	"	"	"	"	"	3GI3	20 ÷ 23	"
PMX4N23B	1.1/4" NPT	75	PMX4I23B	M40x1.5	70	46	48	53	4GI1	20 ÷ 23	0,453
PMX4N26B	"	"	PMX4I26B	"	"	"	"	"	4GI2	23 ÷ 26	"
PMX4N29B	"	"	PMX4I29B	"	"	"	"	"	4GI3	26 ÷ 29	"
PMX5N23B	1.1/2" NPT	75	PMX5I23B	M50x1.5	70	56	58	64	5GI1	20 ÷ 23	0,685
PMX5N26B	"	"	PMX5I26B	"	"	"	"	"	5GI2	23 ÷ 26	"
PMX5N29B	"	"	PMX5I29B	"	"	"	"	"	5GI3	26 ÷ 29	"
PMX5N32B	"	"	PMX5I32B	"	"	"	"	"	5GI4	29 ÷ 32	"
PMX5N35B	"	"	PMX5I35B	"	"	"	"	"	5GI5	32 ÷ 35	"
PMX6N39B	2" NPT	75	PMX6I39B	M63x1.5	70	65	68	75	6GI1	35 ÷ 39	0,836
PMX6N42B	"	"	PMX6I42B	"	"	"	"	"	6GI2	39 ÷ 42	"
PMX6N45B	"	"	PMX6I45B	"	"	"	"	"	6GI3	42 ÷ 45	"

Example: PMX3N20B

Order Coding

Type

PMX

Size

1/2/3/4/5/6

Threadings

N = NPT ANSI B1.20
I = Metric ISO 262

Max Cable Diameter

See **Ød cable** in the table

Material

B = Nickel Plated Brass
S = Stainless Steel AISI 316L

SEALING CABLE GLANDS for NOT ARMoured CABLE with FEMALE BUSHING

series
PMFX

Protection	Gas	Zone	1-2	II2G	Ex d IIC Gb / Ex e IIC Gb
	Dust	Zone	21-22	II2D	Ex tb IIIC Db

Degree of Protection	IP66
----------------------	------

Amb. Temp.	Standard		-40°C		+100°C
	Extended		-60°C		+180°C



Entries Threading	NPT ANSI B1.20 (N) or Metric ISO 262 (M)
-------------------	--

Material	Nickel plated Brass. EPDM Rings.
----------	----------------------------------

Standards and Certificates

Directive 2014/34/EU (ATEX)

EN 60079 - 0 • EN 60079 - 1
EN 60079 - 7 • EN 60079 - 31

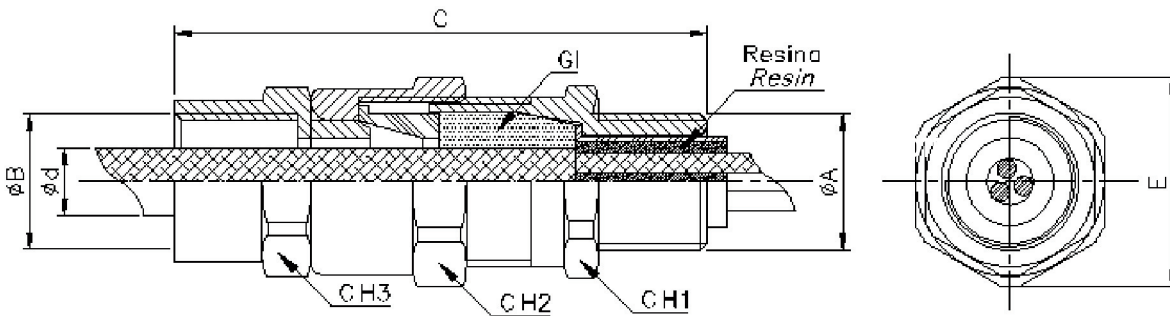
INERIS 10 ATEX 0029X

IEC 60079 - 0 • IEC 60079 - 1
IEC 60079 - 7 • IEC 60079 - 31

IECEx INE 14.0003X

Specific for not armoured cables, they have a female bushing for coupling with the flexible tube end.

- Options**
- Material: Stainless Steel AISI 316L (see page I28).
 - KIT: cable gland supplied with whole range of available rings.
 - Accessories: see page H13.
 - Silicon rings.
 - Mixed configuration.



NOTES

For the optimum choice of the cable glands see also sect. A.

Extended temperature range only with Silicon rings.

Further information on resin on page H14.

NPT ANSI B1.20				METRIC ISO 262				CH1	CH2	CH3	E	GI	Ød cable (mm)	Weight (kg)
Code	ØA	ØB	C	Code	ØA	ØB	C							
PMFX1N7B	1/2" NPT	1/2" NPT	82	PMFX1I7B	M20x1.5	M20x1.5	80	26	28	24	31	1GI1	4 ÷ 7	0,183
PMFX1N9B	"	"	"	PMFX1I9B	"	"	"	"	"	"	"	1GI2	7 ÷ 9,5	"
PMFX1N12B	"	"	"	PMFX1I12B	"	"	"	"	"	"	"	1GI3	9 ÷ 12	"
PMFX2N12B	3/4" NPT	3/4" NPT	82	PMFX2I12B	M25x1.5	M25x1.5	80	31	34	31	37	2GI1	9 ÷ 12	0,251
PMFX2N14B	"	"	"	PMFX2I14B	"	"	"	"	"	"	"	2GI2	12 ÷ 14,5	"
PMFX2N17B	"	"	"	PMFX2I17B	"	"	"	"	"	"	"	2GI3	14 ÷ 17	"
PMFX3N17B	1" NPT	1" NPT	102	PMFX3I17B	M32x1.5	M32x1.5	95	42	45	45	49	3GI1	14 ÷ 17	0,486
PMFX3N20B	"	"	"	PMFX3I20B	"	"	"	"	"	"	"	3GI2	17 ÷ 20	"
PMFX3N23B	"	"	"	PMFX3I23B	"	"	"	"	"	"	"	3GI3	20 ÷ 23	"
PMFX4N23B	1.1/4" NPT	1.1/4" NPT	102	PMFX4I23B	M40x1.5	M40x1.5	97	46	48	48	53	4GI1	20 ÷ 23	0,604
PMFX4N26B	"	"	"	PMFX4I26B	"	"	"	"	"	"	"	4GI2	23 ÷ 26	"
PMFX4N29B	"	"	"	PMFX4I29B	"	"	"	"	"	"	"	4GI3	26 ÷ 29	"
PMFX5N23B	1.1/2" NPT	1.1/2" NPT	102	PMFX5I23B	M50x1.5	M50x1.5	97	56	58	58	64	5GI1	20 ÷ 23	0,864
PMFX5N26B	"	"	"	PMFX5I26B	"	"	"	"	"	"	"	5GI2	23 ÷ 26	"
PMFX5N29B	"	"	"	PMFX5I29B	"	"	"	"	"	"	"	5GI3	26 ÷ 29	"
PMFX5N32B	"	"	"	PMFX5I32B	"	"	"	"	"	"	"	5GI4	29 ÷ 32	"
PMFX5N35B	"	"	"	PMFX5I35B	"	"	"	"	"	"	"	5GI5	32 ÷ 35	"
PMFX6N39B	2" NPT	2" NPT	102	PMFX6I39B	M63x1.5	M63x1.5	97	65	68	68	75	6GI1	35 ÷ 39	1,157
PMFX6N42B	"	"	"	PMFX6I42B	"	"	"	"	"	"	"	6GI2	39 ÷ 42	"
PMFX6N45B	"	"	"	PMFX6I45B	"	"	"	"	"	"	"	6GI3	42 ÷ 45	"

Example: PMFX3I20B

Order
Coding

Type	Size	Threading	Max. Cable Diameter	Material
PMFX	1/2/3/4/5/6	N = NPT ANSI B1.20 I = Metric ISO 262	See Ød cable in the table	B = Nickel plated Steel S = Stainless Steel AISI 316L

SEALING CABLE GLANDS for NOT ARMoured CABLE with MALE BUSHING

series
PMMX

Protection	Gas	Zone	1-2	II2G	Ex d IIC Gb / Ex e IIC Gb
	Dust		21-22	II2D	Ex tb IIIC Db

Degree of Protection	IP66
----------------------	------

Amb. Temp.	Standard	-40°C	+100°C
	Extended	-60°C	+180°C



Entries Threading	NPT ANSI B1.20 (N) or Metric ISO 262 (M)
-------------------	--

Material	Nickel plated Brass. EPDM Rings.
----------	----------------------------------

Standards and Certificates

Directive 2014/34/EU (ATEX)

EN 60079 - 0 • EN 60079 - 1
EN 60079 - 7 • EN 60079 - 31

CE INERIS 10 ATEX 0029X

IEC 60079 - 0 • IEC 60079 - 1
IEC 60079 - 7 • IEC 60079 - 31

IECEx INE 14.0003X

Specific for not armoured cables, they have a male bushing for coupling with the flexible tube end.

Options

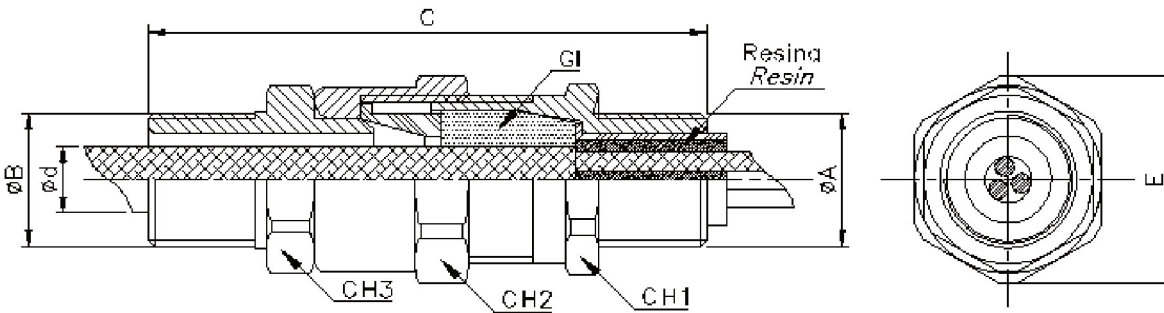
- Material: Stainless Steel AISI 316L (see page I29).
- KIT: cable gland supplied with whole range of available rings.
- Accessories: see page H13.
- Silicon rings.
- Mixed configuration.

NOTES

For the optimum choice of the cable glands see also sect. A.

Extended temperature range only with Silicon rings.

Further information on resin on page H14.



H

NPT ANSI B1.20				METRIC ISO 262				CH1	CH2	CH3	E	GI	Ød cable (mm)	Weight (kg)
Code	ØA	ØB	C	Code	ØA	ØB	C							
PMMX1N7B	1/2" NPT	1/2" NPT	83	PMMX1I7B	M20x1.5	M20x1.5	81	26	28	24	31	1GI1	4 ÷ 7	0,183
PMMX1N9B	"	"	"	PMMX1I9B	"	"	"	"	"	"	"	1GI2	7 ÷ 9,5	"
PMMX1N12B	"	"	"	PMMX1I12B	"	"	"	"	"	"	"	1GI3	9 ÷ 12	"
PMMX2N12B	3/4" NPT	3/4" NPT	83	PMMX2I12B	M25x1.5	M25x1.5	81	31	34	31	37	2GI1	9 ÷ 12	0,251
PMMX2N14B	"	"	"	PMMX2I14B	"	"	"	"	"	"	"	2GI2	12 ÷ 14,5	"
PMMX2N17B	"	"	"	PMMX2I17B	"	"	"	"	"	"	"	2GI3	14 ÷ 17	"
PMMX3N17B	1" NPT	1" NPT	103	PMMX3I17B	M32x1.5	M32x1.5	96	42	45	45	49	3GI1	14 ÷ 17	0,486
PMMX3N20B	"	"	"	PMMX3I20B	"	"	"	"	"	"	"	3GI2	17 ÷ 20	"
PMMX3N23B	"	"	"	PMMX3I23B	"	"	"	"	"	"	"	3GI3	20 ÷ 23	"
PMMX4N23B	1.1/4" NPT	1.1/4" NPT	103	PMMX4I23B	M40x1.5	M40x1.5	98	46	48	48	53	4GI1	20 ÷ 23	0,604
PMMX4N26B	"	"	"	PMMX4I26B	"	"	"	"	"	"	"	4GI2	23 ÷ 26	"
PMMX4N29B	"	"	"	PMMX4I29B	"	"	"	"	"	"	"	4GI3	26 ÷ 29	"
PMMX5N23B	1.1/2" NPT	1.1/2" NPT	103	PMMX5I23B	M50x1.5	M50x1.5	98	56	58	58	64	5GI1	20 ÷ 23	0,864
PMMX5N26B	"	"	"	PMMX5I26B	"	"	"	"	"	"	"	5GI2	23 ÷ 26	"
PMMX5N29B	"	"	"	PMMX5I29B	"	"	"	"	"	"	"	5GI3	26 ÷ 29	"
PMMX5N32B	"	"	"	PMMX5I32B	"	"	"	"	"	"	"	5GI4	29 ÷ 32	"
PMMX5N35B	"	"	"	PMMX5I35B	"	"	"	"	"	"	"	5GI5	32 ÷ 35	"
PMMX6N39B	2" NPT	2" NPT	103	PMMX6I39B	M63x1.5	M63x1.5	98	65	68	68	75	6GI1	35 ÷ 39	1,157
PMMX6N42B	"	"	"	PMMX6I42B	"	"	"	"	"	"	"	6GI2	39 ÷ 42	"
PMMX6N45B	"	"	"	PMMX6I45B	"	"	"	"	"	"	"	6GI3	42 ÷ 45	"

Example: PMMX3I20B

Order Coding

Type

PMMX

Size

1/2/3/4/5/6

Threading

N = NPT ANSI B1.20
I = Metric ISO 262

Max Cable Diameter

See **Ød cable** in the table

Material

B = Nickel plated Brass
S = Stainless Steel AISI 316L

SEALING CABLE GLANDS for FLEXIBLE METAL CONDUIT with FEMALE BUSHING

series
PMSX

Protection	Gas	1-2	II2G	Ex d IIC Gb / Ex e IIC Gb
	Dust	21-22	II2D	Ex tb IIIC Db

Degree of protection
IP66

Amb. Temp.	Standard	-40°C	+100°C
	Extended	-60°C	+180°C



Entries Threading
NPT ANSI B1.20 (N) or Metric ISO 262 (M)

Material
Nickel plated Brass. EPDM Rings(*)

Standards and Certificates



Directive 2014/34/UE (ATEX)

EN 60079 - 0 • EN 60079 - 1
EN 60079 - 7 • EN 60079 - 31



INERIS 10 ATEX 0029X



IEC 60079 - 0 • IEC 60079 - 1
IEC 60079 - 7 • IEC 60079 - 31

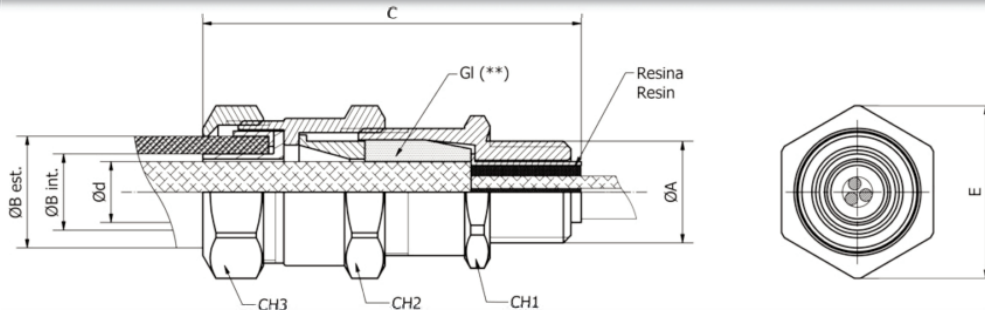
IECEx INE 14.0003X

Specific for not armoured cables, they have a female bushing for coupling with the flexible metal conduit. (see pag. H15).

Options

- (*) Material: Stainless Steel AISI 316L (see page I23).

- (*) Silicon rings.



NOTES

Extended temperature range only with Silicon rings.

Size 4/5/6 and 40/50/63 are available on demand

NPT ANSI B1.20		METRIC ISO 262		ØB int	ØB ext	C	CH1	CH2	CH3	Cod GI(**)	cable ød (mm)
Code	ØA	Code	ØA								
PMSX1	1/2" NPT	PMSX20	M20x1.5	15.5	21	72	30	30	26	1GI1	4 ÷ 7
	1/2" NPT		M20x1.5	15.5	21	72	30	30	26	1GI2	7 ÷ 9,5
	1/2" NPT		M20x1.5	15.5	21	72	30	30	26	1GI3	9 ÷ 12
PMSX2	3/4" NPT	PMSX25	M25x1.5	20.5	27	75	38	38	31	2GI1	9 ÷ 12
	3/4" NPT		M25x1.5	20.5	27	75	38	38	31	2GI2	12 ÷ 14,5
	3/4" NPT		M25x1.5	20.5	27	75	38	38	31	2GI3	14 ÷ 17
PMSX3	1" NPT	PMSX32	M32x1.5	26.5	34	81	42	42	45	3GI1	14 ÷ 17
	1" NPT		M32x1.5	26.5	34	81	42	42	45	3GI2	17 ÷ 20
	1" NPT		M32x1.5	26.5	34	81	42	42	45	3GI3	20 ÷ 23

Products in the below table are available on demand

PMSX4	1.1/4" NPT	PMSX40	M40x1.5	35	43	83	56	56	46	4GI1	20 ÷ 23
	1.1/4" NPT		M40x1.5	35	43	83	56	56	46	4GI2	23 ÷ 26
	1.1/4" NPT		M40x1.5	35	43	83	56	56	46	4GI3	26 ÷ 29
PMSX5	1.1/2" NPT	PMSX50	M50x1.5	40	48	89	62	62	56	5GI1	20 ÷ 23
	1.1/2" NPT		M50x1.5	40	48	89	62	62	56	5GI2	23 ÷ 26
	1.1/2" NPT		M50x1.5	40	48	89	62	62	56	5GI3	26 ÷ 29
	1.1/2" NPT		M50x1.5	40	48	89	62	62	56	5GI4	29 ÷ 32
	1.1/2" NPT		M50x1.5	40	48	89	62	62	56	5GI5	32 ÷ 35
PMSX6	2" NPT	PMSX63	M63x1.5	50.5	58.5	89	74	74	68	6GI1	35 ÷ 39
	2" NPT		M63x1.5	50.5	58.5	89	74	74	68	6GI2	39 ÷ 42
	2" NPT		M63x1.5	50.5	58.5	89	74	74	68	6GI3	42 ÷ 45

Example: PMSX1NB

Order Coding

Type
PMSX

Size
1/2/3/4/5/6
20/25/32/40/50/63

Threading
N = NPT ANSI B1.20
I = Metrica ISO 262

Material
B = Ottone Nichelato
S = Acciaio Inox AISI 316L

