

SEALING CABLE GLANDS for NOT ARMoured CABLE with FEMALE BUSHING

series
PMFX

Protection	Gas	Zone	1-2	II2G	Ex d IIC Gb / Ex e IIC Gb
	Dust	Zone	21-22	II2D	Ex tb IIIC Db

Degree of Protection	IP66
----------------------	------

Amb. Temp.	Standard		-40°C		+100°C
	Extended		-60°C		+180°C



Entries Threading	NPT ANSI B1.20 (N) or Metric ISO 262 (M)
-------------------	--

Material	Nickel plated Brass. EPDM Rings.
----------	----------------------------------

Standards and Certificates

Directive 2014/34/EU (ATEX)

EN 60079 - 0 • EN 60079 - 1
EN 60079 - 7 • EN 60079 - 31

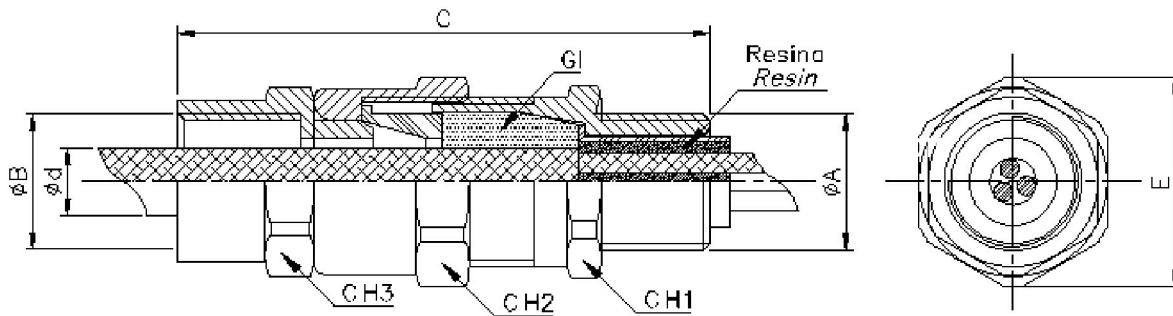
INERIS 10 ATEX 0029X

IEC 60079 - 0 • IEC 60079 - 1
IEC 60079 - 7 • IEC 60079 - 31

IECEx INE 14.0003X

Specific for not armoured cables, they have a female bushing for coupling with the flexible tube end.

- Options**
- Material: Stainless Steel AISI 316L (see page I28).
 - KIT: cable gland supplied with whole range of available rings.
 - Accessories: see page H13.
 - Silicon rings.
 - Mixed configuration.



NOTES

For the optimum choice of the cable glands see also sect. A.

Extended temperature range only with Silicon rings.

Further information on resin on page H14.

NPT ANSI B1.20				METRIC ISO 262				CH1	CH2	CH3	E	GI	Ød cable (mm)	Weight (kg)
Code	ØA	ØB	C	Code	ØA	ØB	C							
PMFX1N7B	1/2" NPT	1/2" NPT	82	PMFX1I7B	M20x1.5	M20x1.5	80	26	28	24	31	1GI1	4 ÷ 7	0,183
PMFX1N9B	"	"	"	PMFX1I9B	"	"	"	"	"	"	"	1GI2	7 ÷ 9,5	"
PMFX1N12B	"	"	"	PMFX1I12B	"	"	"	"	"	"	"	1GI3	9 ÷ 12	"
PMFX2N12B	3/4" NPT	3/4" NPT	82	PMFX2I12B	M25x1.5	M25x1.5	80	31	34	31	37	2GI1	9 ÷ 12	0,251
PMFX2N14B	"	"	"	PMFX2I14B	"	"	"	"	"	"	"	2GI2	12 ÷ 14,5	"
PMFX2N17B	"	"	"	PMFX2I17B	"	"	"	"	"	"	"	2GI3	14 ÷ 17	"
PMFX3N17B	1" NPT	1" NPT	102	PMFX3I17B	M32x1.5	M32x1.5	95	42	45	45	49	3GI1	14 ÷ 17	0,486
PMFX3N20B	"	"	"	PMFX3I20B	"	"	"	"	"	"	"	3GI2	17 ÷ 20	"
PMFX3N23B	"	"	"	PMFX3I23B	"	"	"	"	"	"	"	3GI3	20 ÷ 23	"
PMFX4N23B	1.1/4" NPT	1.1/4" NPT	102	PMFX4I23B	M40x1.5	M40x1.5	97	46	48	48	53	4GI1	20 ÷ 23	0,604
PMFX4N26B	"	"	"	PMFX4I26B	"	"	"	"	"	"	"	4GI2	23 ÷ 26	"
PMFX4N29B	"	"	"	PMFX4I29B	"	"	"	"	"	"	"	4GI3	26 ÷ 29	"
PMFX5N23B	1.1/2" NPT	1.1/2" NPT	102	PMFX5I23B	M50x1.5	M50x1.5	97	56	58	58	64	5GI1	20 ÷ 23	0,864
PMFX5N26B	"	"	"	PMFX5I26B	"	"	"	"	"	"	"	5GI2	23 ÷ 26	"
PMFX5N29B	"	"	"	PMFX5I29B	"	"	"	"	"	"	"	5GI3	26 ÷ 29	"
PMFX5N32B	"	"	"	PMFX5I32B	"	"	"	"	"	"	"	5GI4	29 ÷ 32	"
PMFX5N35B	"	"	"	PMFX5I35B	"	"	"	"	"	"	"	5GI5	32 ÷ 35	"
PMFX6N39B	2" NPT	2" NPT	102	PMFX6I39B	M63x1.5	M63x1.5	97	65	68	68	75	6GI1	35 ÷ 39	1,157
PMFX6N42B	"	"	"	PMFX6I42B	"	"	"	"	"	"	"	6GI2	39 ÷ 42	"
PMFX6N45B	"	"	"	PMFX6I45B	"	"	"	"	"	"	"	6GI3	42 ÷ 45	"

Example: PMFX3I20B

Order Coding

Type	Size	Threading	Max. Cable Diameter	Material
PMFX	1/2/3/4/5/6	N = NPT ANSI B1.20 I = Metric ISO 262	See Ød cable in the table	B = Nickel plated Steel S = Stainless Steel AISI 316L

SEALING CABLE GLANDS for NOT ARMoured CABLE with FEMALE BUSHING

series
PMFX

Protection	Gas	Zone	1-2	II2G	Ex d IIC Gb / Ex e IIC Gb
	Dust	Zone	21-22	II2D	Ex tb IIIC Db

Degree of Protection	IP66
----------------------	------

Amb. Temp.	Standard		-40°C		+100°C
	Extended		-60°C		+180°C



Entries Threading	NPT ANSI B1.20 (N) or Metric ISO 262 (M)
-------------------	--

Material	Stainless Steel AISI 316L EPDM Rings.
----------	---------------------------------------

Standards and Certificates



Directive 2014/34/EU (ATEX)

EN 60079 - 0 • EN 60079 - 1
EN 60079 - 7 • EN 60079 - 31



INERIS 10 ATEX 0029X

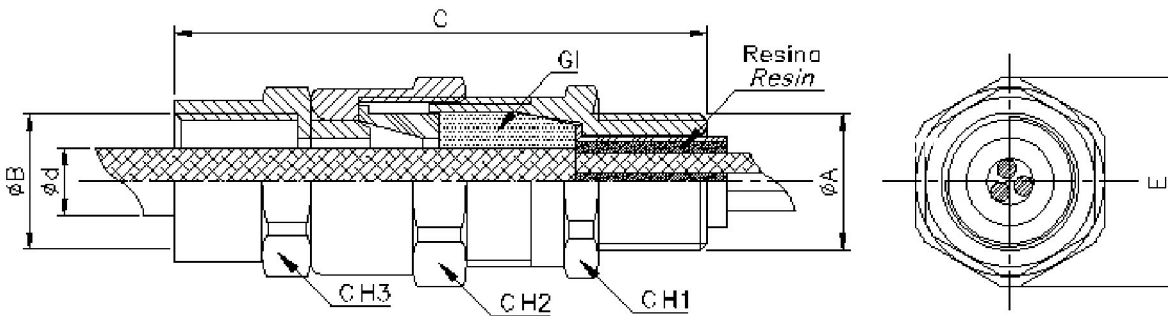


IEC 60079 - 0 • IEC 60079 - 1
IEC 60079 - 7 • IEC 60079 - 31

IECEx INE 14.0003X

Specific for not armoured cables, they have a female bushing for coupling with the flexible tube end.

- Options**
- Material: Nickel plated Brass (see page H10).
 - KIT: cable gland supplied with whole range of available rings.
 - Accessories: see page H13.
 - Silicon rings.
 - Mixed configuration.



NOTES

For the optimum choice of the cable glands see also sect. A.

Extended temperature range only with Silicon rings.

Further information on resin on page H14.

NPT ANSI B1.20				METRIC ISO 262				CH1	CH2	CH3	E	GI	Ød cable (mm)	Weight (kg)
Code	ØA	ØB	C	Code	ØA	ØB	C							
PMFX1N7S	1/2" NPT	1/2" NPT	82	PMFX1I7S	M20x1.5	M20x1.5	80	26	28	24	31	1GI1	4 ÷ 7	0,183
PMFX1N9S	"	"	"	PMFX1I9S	"	"	"	"	"	"	"	1GI2	7 ÷ 9,5	"
PMFX1N12S	"	"	"	PMFX1I12S	"	"	"	"	"	"	"	1GI3	9 ÷ 12	"
PMFX2N12S	3/4" NPT	3/4" NPT	82	PMFX2I12S	M25x1.5	M25x1.5	80	31	34	31	37	2GI1	9 ÷ 12	0,251
PMFX2N14S	"	"	"	PMFX2I14S	"	"	"	"	"	"	"	2GI2	12 ÷ 14,5	"
PMFX2N17S	"	"	"	PMFX2I17S	"	"	"	"	"	"	"	2GI3	14 ÷ 17	"
PMFX3N17S	1" NPT	1" NPT	102	PMFX3I17S	M32x1.5	M32x1.5	95	42	45	45	49	3GI1	14 ÷ 17	0,486
PMFX3N20S	"	"	"	PMFX3I20S	"	"	"	"	"	"	"	3GI2	17 ÷ 20	"
PMFX3N23S	"	"	"	PMFX3I23S	"	"	"	"	"	"	"	3GI3	20 ÷ 23	"
PMFX4N23S	1.1/4" NPT	1.1/4" NPT	102	PMFX4I23S	M40x1.5	M40x1.5	97	46	48	48	53	4GI1	20 ÷ 23	0,604
PMFX4N26S	"	"	"	PMFX4I26S	"	"	"	"	"	"	"	4GI2	23 ÷ 26	"
PMFX4N29S	"	"	"	PMFX4I29S	"	"	"	"	"	"	"	4GI3	26 ÷ 29	"
PMFX5N23S	1.1/2" NPT	1.1/2" NPT	102	PMFX5I23S	M50x1.5	M50x1.5	97	56	58	58	64	5GI1	20 ÷ 23	0,864
PMFX5N26S	"	"	"	PMFX5I26S	"	"	"	"	"	"	"	5GI2	23 ÷ 26	"
PMFX5N29S	"	"	"	PMFX5I29S	"	"	"	"	"	"	"	5GI3	26 ÷ 29	"
PMFX5N32S	"	"	"	PMFX5I32S	"	"	"	"	"	"	"	5GI4	29 ÷ 32	"
PMFX5N35S	"	"	"	PMFX5I35S	"	"	"	"	"	"	"	5GI5	32 ÷ 35	"
PMFX6N39S	2" NPT	2" NPT	102	PMFX6I39S	M63x1.5	M63x1.5	97	65	68	68	75	6GI1	35 ÷ 39	1,157
PMFX6N42S	"	"	"	PMFX6I42S	"	"	"	"	"	"	"	6GI2	39 ÷ 42	"
PMFX6N45S	"	"	"	PMFX6I45S	"	"	"	"	"	"	"	6GI3	42 ÷ 45	"

Example: PMFX3I20S

Order
Coding

Type
PMFX

Size
1/2/3/4/5/6

Threading
N = NPT ANSI B1.20
I = Metric ISO 262

Max. Cable Diameter
See **Ød cable**
in the table

Material
S = Stainless Steel AISI 316L
B = Nickel plated Steel