

SEALING CABLE GLANDS for NOT ARMoured CABLE with MALE BUSHING

series
PMMX

Protection	Gas	Zone	1-2	II2G	Ex d IIC Gb / Ex e IIC Gb
	Dust		21-22	II2D	Ex tb IIIC Db

Degree of Protection	IP66
----------------------	------

Amb. Temp.	Standard	-40°C	+100°C
	Extended	-60°C	+180°C



Entries Threading	NPT ANSI B1.20 (N) or Metric ISO 262 (M)
-------------------	------------------------------------------

Material	Nickel plated Brass. EPDM Rings.
----------	----------------------------------

Standards and Certificates

Directive 2014/34/EU (ATEX)

EN 60079 - 0 • EN 60079 - 1
EN 60079 - 7 • EN 60079 - 31

CE INERIS 10 ATEX 0029X

IEC 60079 - 0 • IEC 60079 - 1
IEC 60079 - 7 • IEC 60079 - 31

IECEx INE 14.0003X

Specific for not armoured cables, they have a male bushing for coupling with the flexible tube end.

Options

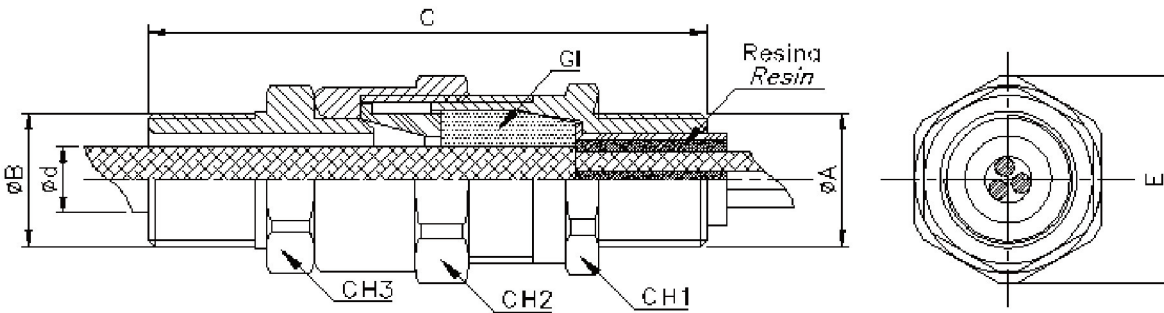
- Material: Stainless Steel AISI 316L (see page I29).
- KIT: cable gland supplied with whole range of available rings.
- Accessories: see page H13.
- Silicon rings.
- Mixed configuration.

NOTES

For the optimum choice of the cable glands see also sect. A.

Extended temperature range only with Silicon rings.

Further information on resin on page H14.



H

NPT ANSI B1.20				METRIC ISO 262				CH1	CH2	CH3	E	GI	Ød cable (mm)	Weight (kg)
Code	ØA	ØB	C	Code	ØA	ØB	C							
PMMX1N7B	1/2" NPT	1/2" NPT	83	PMMX1I7B	M20x1.5	M20x1.5	81	26	28	24	31	1GI1	4 ÷ 7	0,183
PMMX1N9B	"	"	"	PMMX1I9B	"	"	"	"	"	"	"	1GI2	7 ÷ 9,5	"
PMMX1N12B	"	"	"	PMMX1I12B	"	"	"	"	"	"	"	1GI3	9 ÷ 12	"
PMMX2N12B	3/4" NPT	3/4" NPT	83	PMMX2I12B	M25x1.5	M25x1.5	81	31	34	31	37	2GI1	9 ÷ 12	0,251
PMMX2N14B	"	"	"	PMMX2I14B	"	"	"	"	"	"	"	2GI2	12 ÷ 14,5	"
PMMX2N17B	"	"	"	PMMX2I17B	"	"	"	"	"	"	"	2GI3	14 ÷ 17	"
PMMX3N17B	1" NPT	1" NPT	103	PMMX3I17B	M32x1.5	M32x1.5	96	42	45	45	49	3GI1	14 ÷ 17	0,486
PMMX3N20B	"	"	"	PMMX3I20B	"	"	"	"	"	"	"	3GI2	17 ÷ 20	"
PMMX3N23B	"	"	"	PMMX3I23B	"	"	"	"	"	"	"	3GI3	20 ÷ 23	"
PMMX4N23B	1.1/4" NPT	1.1/4" NPT	103	PMMX4I23B	M40x1.5	M40x1.5	98	46	48	48	53	4GI1	20 ÷ 23	0,604
PMMX4N26B	"	"	"	PMMX4I26B	"	"	"	"	"	"	"	4GI2	23 ÷ 26	"
PMMX4N29B	"	"	"	PMMX4I29B	"	"	"	"	"	"	"	4GI3	26 ÷ 29	"
PMMX5N23B	1.1/2" NPT	1.1/2" NPT	103	PMMX5I23B	M50x1.5	M50x1.5	98	56	58	58	64	5GI1	20 ÷ 23	0,864
PMMX5N26B	"	"	"	PMMX5I26B	"	"	"	"	"	"	"	5GI2	23 ÷ 26	"
PMMX5N29B	"	"	"	PMMX5I29B	"	"	"	"	"	"	"	5GI3	26 ÷ 29	"
PMMX5N32B	"	"	"	PMMX5I32B	"	"	"	"	"	"	"	5GI4	29 ÷ 32	"
PMMX5N35B	"	"	"	PMMX5I35B	"	"	"	"	"	"	"	5GI5	32 ÷ 35	"
PMMX6N39B	2" NPT	2" NPT	103	PMMX6I39B	M63x1.5	M63x1.5	98	65	68	68	75	6GI1	35 ÷ 39	1,157
PMMX6N42B	"	"	"	PMMX6I42B	"	"	"	"	"	"	"	6GI2	39 ÷ 42	"
PMMX6N45B	"	"	"	PMMX6I45B	"	"	"	"	"	"	"	6GI3	42 ÷ 45	"

Example: PMMX3I20B

Order Coding

Type

PMMX

Size

1/2/3/4/5/6

Threading

N = NPT ANSI B1.20
I = Metric ISO 262

Max Cable Diameter

See **Ød cable** in the table

Material

B = Nickel plated Brass
S = Stainless Steel AISI 316L

SEALING CABLE GLANDS for NOT ARMoured CABLE with MALE BUSHING

series
PMMX

Protection	Gas	1-2	II2G	Ex d IIC Gb / Ex e IIC Gb
	Dust	21-22	II2D	Ex tb IIIC Db

Degree of Protection	IP66
----------------------	------

Amb. Temp.	Standard	-40°C	+100°C
	Extended	-60°C	+180°C



Entries Threading	NPT ANSI B1.20 (N) or Metric ISO 262 (M)
-------------------	------------------------------------------

Material	Stainless Steel AISI 316L, EPDM Rings.
----------	----------------------------------------

Standards and Certificates

Directive 2014/34/EU (ATEX)

EN 60079 - 0 • EN 60079 - 1
EN 60079 - 7 • EN 60079 - 31

CE INERIS 10 ATEX 0029X

IEC 60079 - 0 • IEC 60079 - 1
IEC 60079 - 7 • IEC 60079 - 31

IECEx INE 14.0003X

Specific for not armoured cables, they have a male bushing for coupling with the flexible tube end.

Options

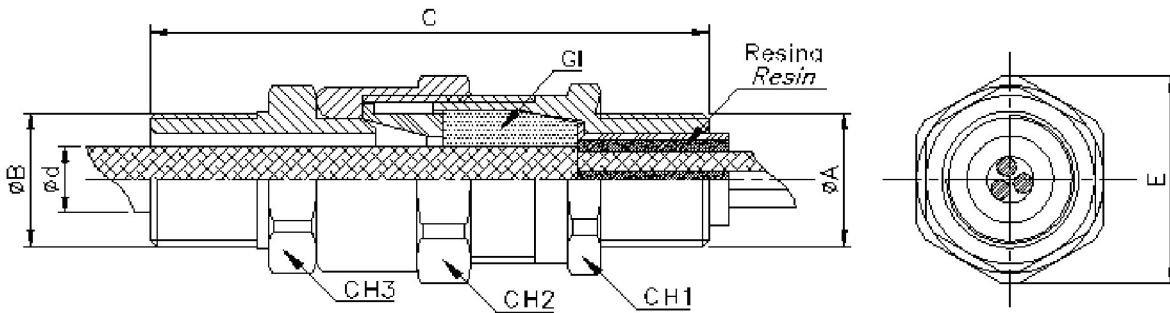
- Material: Nickel plated Brass (see page H11).
- KIT: cable gland supplied with whole range of available rings.
- Accessories: see page H13.
- Silicon rings.
- Mixed configuration.

NOTES

For the optimum choice of the cable glands see also sect. A.

Extended temperature range only with Silicon rings.

Further information on resin on page H14.



NPT ANSI B1.20				METRIC ISO 262				CH1	CH2	CH3	E	GI	Ød cable (mm)	Weight (kg)
Code	ØA	ØB	C	Code	ØA	ØB	C							
PMMX1N7S	1/2" NPT	1/2" NPT	83	PMMX1I7S	M20x1.5	M20x1.5	81	26	28	24	31	1GI1	4 ÷ 7	0,183
PMMX1N9S	"	"	"	PMMX1I9S	"	"	"	"	"	"	"	1GI2	7 ÷ 9,5	"
PMMX1N12S	"	"	"	PMMX1I12S	"	"	"	"	"	"	"	1GI3	9 ÷ 12	"
PMMX2N12S	3/4" NPT	3/4" NPT	83	PMMX2I12S	M25x1.5	M25x1.5	81	31	34	31	37	2GI1	9 ÷ 12	0,251
PMMX2N14S	"	"	"	PMMX2I14S	"	"	"	"	"	"	"	2GI2	12 ÷ 14,5	"
PMMX2N17S	"	"	"	PMMX2I17S	"	"	"	"	"	"	"	2GI3	14 ÷ 17	"
PMMX3N17S	1" NPT	1" NPT	103	PMMX3I17S	M32x1.5	M32x1.5	96	42	45	45	49	3GI1	14 ÷ 17	0,486
PMMX3N20S	"	"	"	PMMX3I20S	"	"	"	"	"	"	"	3GI2	17 ÷ 20	"
PMMX3N23S	"	"	"	PMMX3I23S	"	"	"	"	"	"	"	3GI3	20 ÷ 23	"
PMMX4N23S	1.1/4" NPT	1.1/4" NPT	103	PMMX4I23S	M40x1.5	M40x1.5	98	46	48	48	53	4GI1	20 ÷ 23	0,604
PMMX4N26S	"	"	"	PMMX4I26S	"	"	"	"	"	"	"	4GI2	23 ÷ 26	"
PMMX4N29S	"	"	"	PMMX4I29S	"	"	"	"	"	"	"	4GI3	26 ÷ 29	"
PMMX5N23S	1.1/2" NPT	1.1/2" NPT	103	PMMX5I23S	M50x1.5	M50x1.5	98	56	58	58	64	5GI1	20 ÷ 23	0,864
PMMX5N26S	"	"	"	PMMX5I26S	"	"	"	"	"	"	"	5GI2	23 ÷ 26	"
PMMX5N29S	"	"	"	PMMX5I29S	"	"	"	"	"	"	"	5GI3	26 ÷ 29	"
PMMX5N32S	"	"	"	PMMX5I32S	"	"	"	"	"	"	"	5GI4	29 ÷ 32	"
PMMX5N35S	"	"	"	PMMX5I35S	"	"	"	"	"	"	"	5GI5	32 ÷ 35	"
PMMX6N39S	2" NPT	2" NPT	103	PMMX6I39S	M63x1.5	M63x1.5	98	65	68	68	75	6GI1	35 ÷ 39	1,157
PMMX6N42S	"	"	"	PMMX6I42S	"	"	"	"	"	"	"	6GI2	39 ÷ 42	"
PMMX6N45S	"	"	"	PMMX6I45S	"	"	"	"	"	"	"	6GI3	42 ÷ 45	"

Example: PMMX3I20S

Order Coding

Type

PMMX

Size

1/2/3/4/5/6

Threading

N = NPT ANSI B1.20
I = Metric ISO 262

Max Cable Diameter

See **Ød cable** in the table

Material

S = Stainless Steel AISI 316L
B = Nickel plated Brass