

# SEALING CABLE GLANDS for FLEXIBLE METAL CONDUIT with FEMALE BUSHING

series  
**PMSX**

Protection	Gas	1-2	II2G	Ex d IIC Gb / Ex e IIC Gb
	Dust	21-22	II2D	Ex tb IIIC Db

Degree of protection  
**IP66**

Amb. Temp.	Standard	-40°C	+100°C
	Extended	-60°C	+180°C



Entries Threading  
NPT ANSI B1.20 (N) or Metric ISO 262 (M)

Material  
Nickel plated Brass. EPDM Rings(\*)

**Standards and Certificates**

Directive 2014/34/UE (ATEX)

EN 60079 - 0 • EN 60079 - 1  
EN 60079 - 7 • EN 60079 - 31

CE INERIS 10 ATEX 0029X

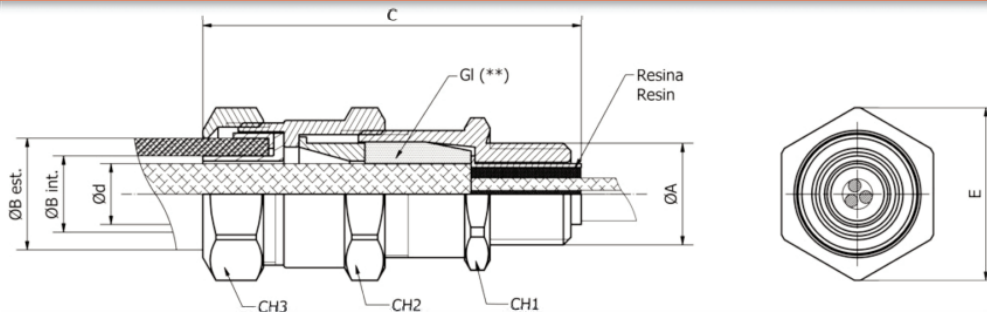
IECEX

IEC 60079 - 0 • IEC 60079 - 1  
IEC 60079 - 7 • IEC 60079 - 31

IECEX INE 14.0003X

Specific for not armoured cables, they have a female bushing for coupling with the flexible metal conduit. (see pag. H15).

Options - (\*) Material: Stainless Steel AISI 316L (see page I23). - (\*) Silicon rings.



**NOTES**

Extended temperature range only with Silicon rings.

Size 4/5/6 and 40/50/63 are available on demand

NPT ANSI B1.20		METRIC ISO 262		ØB int	ØB ext	C	CH1	CH2	CH3	Cod GI(**)	cable ød (mm)
<b>PMSX1</b>	1/2" NPT	<b>PMSX20</b>	M20x1.5	15.5	21	72	30	30	26	1GI1	4 ÷ 7
	1/2" NPT		M20x1.5	15.5	21	72	30	30	26	1GI2	7 ÷ 9,5
	1/2" NPT		M20x1.5	15.5	21	72	30	30	26	1GI3	9 ÷ 12
<b>PMSX2</b>	3/4" NPT	<b>PMSX25</b>	M25x1.5	20.5	27	75	38	38	31	2GI1	9 ÷ 12
	3/4" NPT		M25x1.5	20.5	27	75	38	38	31	2GI2	12 ÷ 14,5
	3/4" NPT		M25x1.5	20.5	27	75	38	38	31	2GI3	14 ÷ 17
<b>PMSX3</b>	1" NPT	<b>PMSX32</b>	M32x1.5	26.5	34	81	42	42	45	3GI1	14 ÷ 17
	1" NPT		M32x1.5	26.5	34	81	42	42	45	3GI2	17 ÷ 20
	1" NPT		M32x1.5	26.5	34	81	42	42	45	3GI3	20 ÷ 23

Products in the below table are available on demand

<b>PMSX4</b>	1.1/4" NPT	<b>PMSX40</b>	M40x1.5	35	43	83	56	56	46	4GI1	20 ÷ 23
	1.1/4" NPT		M40x1.5	35	43	83	56	56	46	4GI2	23 ÷ 26
	1.1/4" NPT		M40x1.5	35	43	83	56	56	46	4GI3	26 ÷ 29
<b>PMSX5</b>	1.1/2" NPT	<b>PMSX50</b>	M50x1.5	40	48	89	62	62	56	5GI1	20 ÷ 23
	1.1/2" NPT		M50x1.5	40	48	89	62	62	56	5GI2	23 ÷ 26
	1.1/2" NPT		M50x1.5	40	48	89	62	62	56	5GI3	26 ÷ 29
	1.1/2" NPT		M50x1.5	40	48	89	62	62	56	5GI4	29 ÷ 32
	1.1/2" NPT		M50x1.5	40	48	89	62	62	56	5GI5	32 ÷ 35
<b>PMSX6</b>	2" NPT	<b>PMSX63</b>	M63x1.5	50.5	58.5	89	74	74	68	6GI1	35 ÷ 39
	2" NPT		M63x1.5	50.5	58.5	89	74	74	68	6GI2	39 ÷ 42
	2" NPT		M63x1.5	50.5	58.5	89	74	74	68	6GI3	42 ÷ 45

## Example: PMSX1NB

Order Coding

Type <b>PMSX</b>	Size <b>1/2/3/4/5/6</b> <b>20/25/32/40/50/63</b>	Threading <b>N</b> = NPT ANSI B1.20 <b>I</b> = Metrica ISO 262	Material <b>B</b> = Ottone Nichelato <b>S</b> = Acciaio Inox AISI 316L
---------------------	--	--	--