

# SEALING CABLE GLANDS for NOT ARMoured CABLE

series  
**PMX**

Protection	Gas	Zone	1-2	II2G	Ex d IIC Gb / Ex e IIC Gb
	Dust	Zone	21-22	II2D	Ex tb IIIC Db

Degree of Protection	IP66
----------------------	------

Amb. Temp.	Standard	-40°C	+100°C
	Extended	-60°C	+180°C



Entries Threading	NPT ANSI B1.20 (N) or Metric ISO 262 (M)
-------------------	--

Material	Nickel plated Brass. EPDM Rings.
----------	----------------------------------

Standards and Certificates



Directive 2014/34/EU (ATEX)

EN 60079 - 0 • EN 60079 - 1  
EN 60079 - 7 • EN 60079 - 31

CE INERIS 10 ATEX 0029X

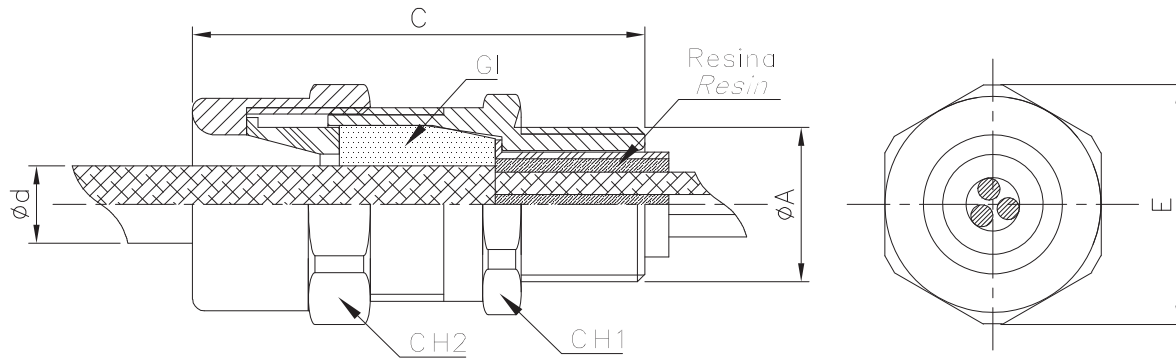


IEC 60079 - 0 • IEC 60079 - 1  
IEC 60079 - 7 • IEC 60079 - 31

IECEx INE 14.0003X

Options

- Material: Stainless Steel AISI 316L (see page I26).
- Accessories: see page H13.
- KIT: cable gland supplied with whole range of available rings.
- Silicon rings.



## NOTES

For the optimum choice of the cable glands see also sect. A

Extended temperature range only with Silicon rings.

Further information on resin on page H14.

NPT ANSI B1.20			METRIC ISO 262			CH1	CH2	E	GI	ød cable (mm)	Weight (kg)
Code	øA	C	Code	øA	C						
PMX1N7B	1/2" NPT	61	PMX1I7B	M20x1.5	59	26	28	31	1GI1	4 ÷ 7	0,142
PMX1N9B	"	"	PMX1I9B	"	"	"	"	"	1GI2	7 ÷ 9,5	"
PMX1N12B	"	"	PMX1I12B	"	"	"	"	"	1GI3	9 ÷ 12	"
PMX2N12B	3/4" NPT	61	PMX2I12B	M25x1.5	59	31	34	37	2GI1	9 ÷ 12	0,183
PMX2N14B	"	"	PMX2I14B	"	"	"	"	"	2GI2	12 ÷ 14,5	"
PMX2N17B	"	"	PMX2I17B	"	"	"	"	"	2GI3	14 ÷ 17	"
PMX3N17B	1" NPT	75	PMX3I17B	M32x1.5	68	42	45	49	3GI1	14 ÷ 17	0,405
PMX3N20B	"	"	PMX3I20B	"	"	"	"	"	3GI2	17 ÷ 20	"
PMX3N23B	"	"	PMX3I23B	"	"	"	"	"	3GI3	20 ÷ 23	"
PMX4N23B	1.1/4" NPT	75	PMX4I23B	M40x1.5	70	46	48	53	4GI1	20 ÷ 23	0,453
PMX4N26B	"	"	PMX4I26B	"	"	"	"	"	4GI2	23 ÷ 26	"
PMX4N29B	"	"	PMX4I29B	"	"	"	"	"	4GI3	26 ÷ 29	"
PMX5N23B	1.1/2" NPT	75	PMX5I23B	M50x1.5	70	56	58	64	5GI1	20 ÷ 23	0,685
PMX5N26B	"	"	PMX5I26B	"	"	"	"	"	5GI2	23 ÷ 26	"
PMX5N29B	"	"	PMX5I29B	"	"	"	"	"	5GI3	26 ÷ 29	"
PMX5N32B	"	"	PMX5I32B	"	"	"	"	"	5GI4	29 ÷ 32	"
PMX5N35B	"	"	PMX5I35B	"	"	"	"	"	5GI5	32 ÷ 35	"
PMX6N39B	2" NPT	75	PMX6I39B	M63x1.5	70	65	68	75	6GI1	35 ÷ 39	0,836
PMX6N42B	"	"	PMX6I42B	"	"	"	"	"	6GI2	39 ÷ 42	"
PMX6N45B	"	"	PMX6I45B	"	"	"	"	"	6GI3	42 ÷ 45	"

## Example: PMX3N20B

Order Coding

Type

**PMX**

Size

**1/2/3/4/5/6**

Threadings

**N** = NPT ANSI B1.20  
**I** = Metric ISO 262

Max Cable Diameter

See **ød cable** in the table

Material

**B** = Nickel Plated Brass  
**S** = Stainless Steel AISI 316L

# SEALING CABLE GLANDS for NOT ARMoured CABLE

series  
**PMX**

Protection	Gas	Zone	1-2	II2G	Ex d IIC Gb / Ex e IIC Gb
	Dust	Zone	21-22	II2D	Ex tb IIIC Db

Degree of Protection	IP66
----------------------	------

Amb. Temp.	Standard	-40°C	+100°C
	Extended	-60°C	+180°C



Entries Threading	NPT ANSI B1.20 (N) or Metric ISO 262 (M)
-------------------	--

Material	Stainless Steel AISI 316L. EPDM Rings.
----------	--

Standards and Certificates



Directive 2014/34/EU (ATEX)

EN 60079 - 0 • EN 60079 - 1  
EN 60079 - 7 • EN 60079 - 31



INERIS 10 ATEX 0029X

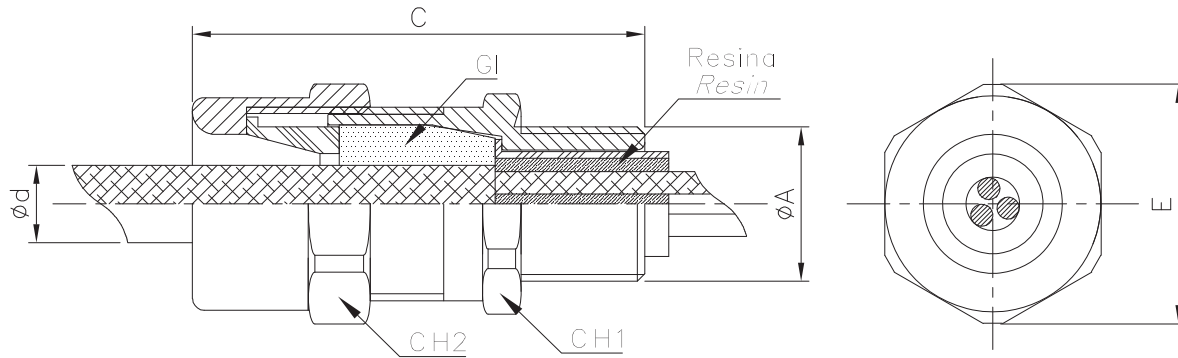


IEC 60079 - 0 • IEC 60079 - 1  
IEC 60079 - 7 • IEC 60079 - 31

IECEx INE 14.0003X

Options

- Material: Nickel plated Brass (see page H08).
- Accessories: see page H13.
- KIT: cable gland supplied with whole range of available rings.
- Silicon rings.



## NOTES

For the optimum choice of the cable glands see also sect. A

Extended temperature range only with Silicon rings.

Further information on resin on page H14.

NPT ANSI B1.20			METRIC ISO 262			CH1	CH2	E	GI	Ød cable (mm)	Weight (kg)
Code	ØA	C	Code	ØA	C						
PMX1N7S	1/2" NPT	61	PMX1I7S	M20x1.5	59	26	28	31	1GI1	4 ÷ 7	0,142
PMX1N9S	"	"	PMX1I9S	"	"	"	"	"	1GI2	7 ÷ 9,5	"
PMX1N12S	"	"	PMX1I12S	"	"	"	"	"	1GI3	9 ÷ 12	"
PMX2N12S	3/4" NPT	61	PMX2I12S	M25x1.5	59	31	34	37	2GI1	9 ÷ 12	0,183
PMX2N14S	"	"	PMX2I14S	"	"	"	"	"	2GI2	12 ÷ 14,5	"
PMX2N17S	"	"	PMX2I17S	"	"	"	"	"	2GI3	14 ÷ 17	"
PMX3N17S	1" NPT	75	PMX3I17S	M32x1.5	68	42	45	49	3GI1	14 ÷ 17	0,405
PMX3N20S	"	"	PMX3I20S	"	"	"	"	"	3GI2	17 ÷ 20	"
PMX3N23S	"	"	PMX3I23S	"	"	"	"	"	3GI3	20 ÷ 23	"
PMX4N23S	1.1/4" NPT	75	PMX4I23S	M40x1.5	70	46	48	53	4GI1	20 ÷ 23	0,453
PMX4N26S	"	"	PMX4I26S	"	"	"	"	"	4GI2	23 ÷ 26	"
PMX4N29S	"	"	PMX4I29S	"	"	"	"	"	4GI3	26 ÷ 29	"
PMX5N23S	1.1/2" NPT	75	PMX5I23S	M50x1.5	70	56	58	64	5GI1	20 ÷ 23	0,685
PMX5N26S	"	"	PMX5I26S	"	"	"	"	"	5GI2	23 ÷ 26	"
PMX5N29S	"	"	PMX5I29S	"	"	"	"	"	5GI3	26 ÷ 29	"
PMX5N32S	"	"	PMX5I32S	"	"	"	"	"	5GI4	29 ÷ 32	"
PMX5N35S	"	"	PMX5I35S	"	"	"	"	"	5GI5	32 ÷ 35	"
PMX6N39S	2" NPT	75	PMX6I39S	M63x1.5	70	65	68	75	6GI1	35 ÷ 39	0,836
PMX6N42S	"	"	PMX6I42S	"	"	"	"	"	6GI2	39 ÷ 42	"
PMX6N45S	"	"	PMX6I45S	"	"	"	"	"	6GI3	42 ÷ 45	"

## Example: PMX3N20S

Order Coding

Type

**PMX**

Size

**1/2/3/4/5/6**

Threadings

**N** = NPT ANSI B1.20  
**I** = Metric ISO 262

Max Cable Diameter

See **Ød cable** in the table

Material

**S** = Stainless Steel AISI 316L  
**B** = Nickel Plated Brass