

CABLE GLANDS for NOT ARMoured CABLE with FEMALE BUSHING

series
PMF

Protection	Gas	Zone	1-2	II2G	Ex d IIC Gb / Ex e IIC Gb
	Dust		21-22	II2D	Ex tb IIIC Db

Degree of Protection	IP66
----------------------	------

Amb. Temp.	Standard	-40°C	+100°C
	Extended	-60°C	+180°C



Enries Threading	NPT ANSI B1.20 (N) or Metric ISO 262 (M)
------------------	--

Material	Nickel plated Brass. EPDM Rings.
----------	----------------------------------

Standards and Certificates

Directive 2014/34/EU (ATEX)

EN 60079 - 0 • EN 60079 - 1
EN 60079 - 7 • EN 60079 - 31

CE INERIS 10 ATEX 0029X

IECEx

IEC 60079 - 0 • IEC 60079 - 1
IEC 60079 - 7 • IEC 60079 - 31

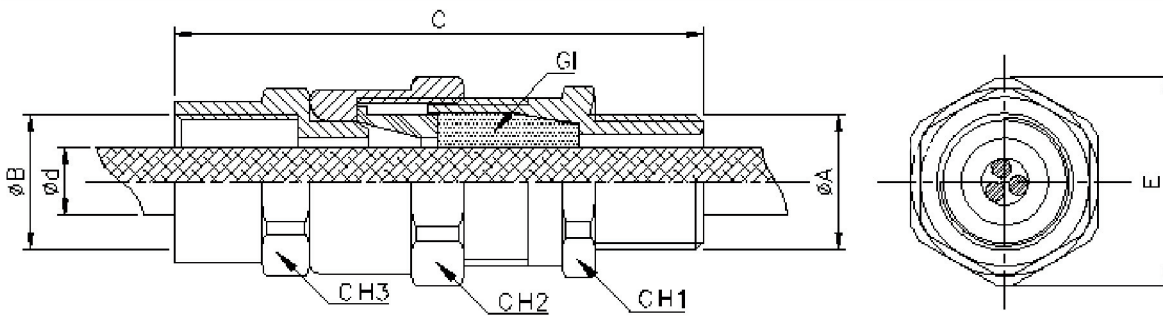
IECEx INE 14.0003X

Specific for not armoured cables, they have a female bushing for coupling with the flexible tube end.

Options

- Material: Stainless Steel AISI 316L (see page I23).
- KIT: cable gland supplied with whole range of available rings.
- Accessories: see page H13.

- Silicon rings.
- Mixed configuration.



NOTES

For the optimum choice of the cable glands see also sect. A.

Extended temperature range only with Silicon rings.

NPT ANSI B1.20				METRIC ISO 262				CH1	CH2	CH3	E	GI	Ød cable (mm)	Weight (kg)
Code	ØA	ØB	C	Code	ØA	ØB	C							
PMF1N7B	1/2" NPT	1/2" NPT	82	PMF1I7B	M20x1.5	M20x1.5	80	26	28	24	31	1G11	4 ÷ 7	0,176
PMF1N9B	"	"	"	PMF1I9B	"	"	"	"	"	"	"	1G12	7 ÷ 9,5	"
PMF1N12B	"	"	"	PMF1I12B	"	"	"	"	"	"	"	1G13	9 ÷ 12	"
PMF2N12B	3/4" NPT	3/4" NPT	82	PMF2I12B	M25x1.5	M25x1.5	80	31	34	31	37	2G11	9 ÷ 12	0,243
PMF2N14B	"	"	"	PMF2I14B	"	"	"	"	"	"	"	2G12	12 ÷ 14,5	"
PMF2N17B	"	"	"	PMF2I17B	"	"	"	"	"	"	"	2G13	14 ÷ 17	"
PMF3N17B	1" NPT	1" NPT	102	PMF3I17B	M32x1.5	M32x1.5	97	42	37	45	49	3G11	14 ÷ 17	0,470
PMF3N20B	"	"	"	PMF3I20B	"	"	"	"	"	"	"	3G12	17 ÷ 20	"
PMF3N23B	"	"	"	PMF3I23B	"	"	"	"	"	"	"	3G13	20 ÷ 23	"
PMF4N23B	1.1/4" NPT	1.1/4" NPT	102	PMF4I23B	M40x1.5	M40x1.5	99	46	47	48	53	4G11	20 ÷ 23	0,584
PMF4N26B	"	"	"	PMF4I26B	"	"	"	"	"	"	"	4G12	23 ÷ 26	"
PMF4N29B	"	"	"	PMF4I29B	"	"	"	"	"	"	"	4G13	26 ÷ 29	"
PMF5N23B	1.1/2" NPT	1.1/2" NPT	102	PMF5I23B	M50x1.5	M50x1.5	99	56	56	58	64	5G11	20 ÷ 23	0,839
PMF5N26B	"	"	"	PMF5I26B	"	"	"	"	"	"	"	5G12	23 ÷ 26	"
PMF5N29B	"	"	"	PMF5I29B	"	"	"	"	"	"	"	5G13	26 ÷ 29	"
PMF5N32B	"	"	"	PMF5I32B	"	"	"	"	"	"	"	5G14	29 ÷ 32	"
PMF5N35B	"	"	"	PMF5I35B	"	"	"	"	"	"	"	5G15	32 ÷ 35	"
PMF6N39B	2" NPT	2" NPT	102	PMF6I39B	M63x1.5	M63x1.5	99	65	70	68	75	6G11	35 ÷ 39	1,118
PMF6N42B	"	"	"	PMF6I42B	"	"	"	"	"	"	"	6G12	39 ÷ 42	"
PMF6N45B	"	"	"	PMF6I45B	"	"	"	"	"	"	"	6G13	42 ÷ 45	"

Example: PMF3I20B

Order Coding

Type

PMF

Size

1/2/3/4/5/6

Threading

N = NPT ANSI B1.20
I = Metric ISO 262

Max Cable Diameter

See **Ød cable** in the table

Material

B = Nickel plated Brass
S = Stainless Steel AISI 316L

CABLE GLANDS for NOT ARMoured CABLE with FEMALE BUSHING

series
PMF

Protection	Gas	Zone	1-2	II2G	Ex d IIC Gb / Ex e IIC Gb
	Dust		21-22	II2D	Ex tb IIIC Db

Degree of Protection	IP66
----------------------	------

Amb. Temp.	Standard	-40°C	+100°C
	Extended	-60°C	+180°C



Enries Threading	NPT ANSI B1.20 (N) or Metric ISO 262 (M)
------------------	--

Material	Stainless Steel AISI 316L. EPDM Rings.
----------	--

Standards and Certificates

Directive 2014/34/EU (ATEX)

EN 60079 - 0 • EN 60079 - 1
EN 60079 - 7 • EN 60079 - 31

CE INERIS 10 ATEX 0029X

IECEx

IEC 60079 - 0 • IEC 60079 - 1
IEC 60079 - 7 • IEC 60079 - 31

IECEx INE 14.0003X

Specific for not armoured cables, they have a female bushing for coupling with the flexible tube end.

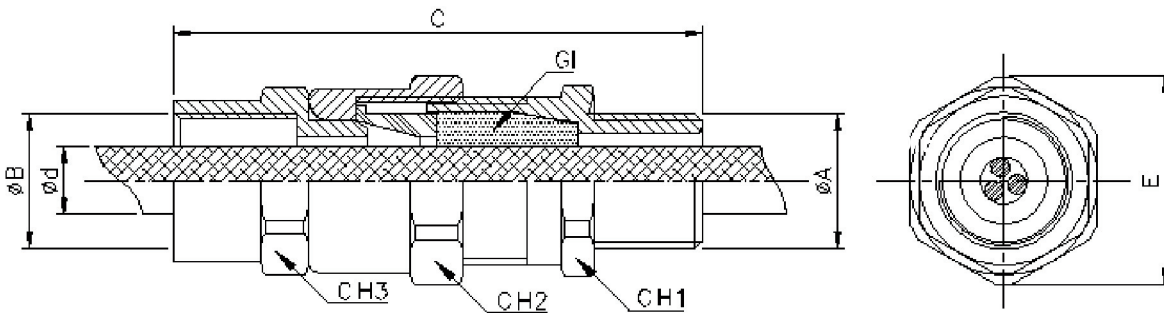
Options

- Material: Nickel plated Brass (see page H05).
- KIT: cable gland supplied with whole range of available rings.
- Accessories: see page H13.
- Silicon rings.
- Mixed configuration.

NOTES

For the optimum choice of the cable glands see also sect. A.

Extended temperature range only with Silicon rings.



NPT ANSI B1.20				METRIC ISO 262				CH1	CH2	CH3	E	GI	ød cable (mm)	Weight (kg)
Code	ØA	ØB	C	Code	ØA	ØB	C							
PMF1N7S	1/2" NPT	1/2" NPT	82	PMF1I7S	M20x1.5	M20x1.5	80	26	28	24	31	1G11	4 ÷ 7	0,176
PMF1N9S	"	"	"	PMF1I9S	"	"	"	"	"	"	"	1G12	7 ÷ 9,5	"
PMF1N12S	"	"	"	PMF1I12S	"	"	"	"	"	"	"	1G13	9 ÷ 12	"
PMF2N12S	3/4" NPT	3/4" NPT	82	PMF2I12S	M25x1.5	M25x1.5	80	31	34	31	37	2G11	9 ÷ 12	0,243
PMF2N14S	"	"	"	PMF2I14S	"	"	"	"	"	"	"	2G12	12 ÷ 14,5	"
PMF2N17S	"	"	"	PMF2I17S	"	"	"	"	"	"	"	2G13	14 ÷ 17	"
PMF3N17S	1" NPT	1" NPT	102	PMF3I17S	M32x1.5	M32x1.5	97	42	37	45	49	3G11	14 ÷ 17	0,470
PMF3N20S	"	"	"	PMF3I20S	"	"	"	"	"	"	"	3G12	17 ÷ 20	"
PMF3N23S	"	"	"	PMF3I23S	"	"	"	"	"	"	"	3G13	20 ÷ 23	"
PMF4N23S	1.1/4" NPT	1.1/4" NPT	102	PMF4I23S	M40x1.5	M40x1.5	99	46	47	48	53	4G11	20 ÷ 23	0,584
PMF4N26S	"	"	"	PMF4I26S	"	"	"	"	"	"	"	4G12	23 ÷ 26	"
PMF4N29S	"	"	"	PMF4I29S	"	"	"	"	"	"	"	4G13	26 ÷ 29	"
PMF5N23S	1.1/2" NPT	1.1/2" NPT	102	PMF5I23S	M50x1.5	M50x1.5	99	56	56	58	64	5G11	20 ÷ 23	0,839
PMF5N26S	"	"	"	PMF5I26S	"	"	"	"	"	"	"	5G12	23 ÷ 26	"
PMF5N29S	"	"	"	PMF5I29S	"	"	"	"	"	"	"	5G13	26 ÷ 29	"
PMF5N32S	"	"	"	PMF5I32S	"	"	"	"	"	"	"	5G14	29 ÷ 32	"
PMF5N35S	"	"	"	PMF5I35S	"	"	"	"	"	"	"	5G15	32 ÷ 35	"
PMF6N39S	2" NPT	2" NPT	102	PMF6I39S	M63x1.5	M63x1.5	99	65	70	68	75	6G11	35 ÷ 39	1,118
PMF6N42S	"	"	"	PMF6I42S	"	"	"	"	"	"	"	6G12	39 ÷ 42	"
PMF6N45S	"	"	"	PMF6I45S	"	"	"	"	"	"	"	6G13	42 ÷ 45	"

Example: PMF3I20S

Order Coding

Type	Size	Threading	Max Cable Diameter	Material
PMF	1/2/3/4/5/6	N = NPT ANSI B1.20 I = Metric ISO 262	See Ød cable in the table	S = Stainless Steel AISI 316L B = Nickel plated Brass