

# ENCLOSURES with THREADED LID for MEASURING and CONTROL DEVICES and SYSTEMS

series  
**CCA**

Protection	Gas	Zone	1-2	II2G	Ex db IIC T6÷T4 Gb
	Dust	Zone	21-22	II2D	Ex tb IIIC T85°C÷T135°C Db

Degree of Protection	IP66/67
----------------------	---------

Amb. Temp.	Standard	-20°C	+40°C
	Extended	-50°C	+80°C



Entries Threading	NPT
	Metric

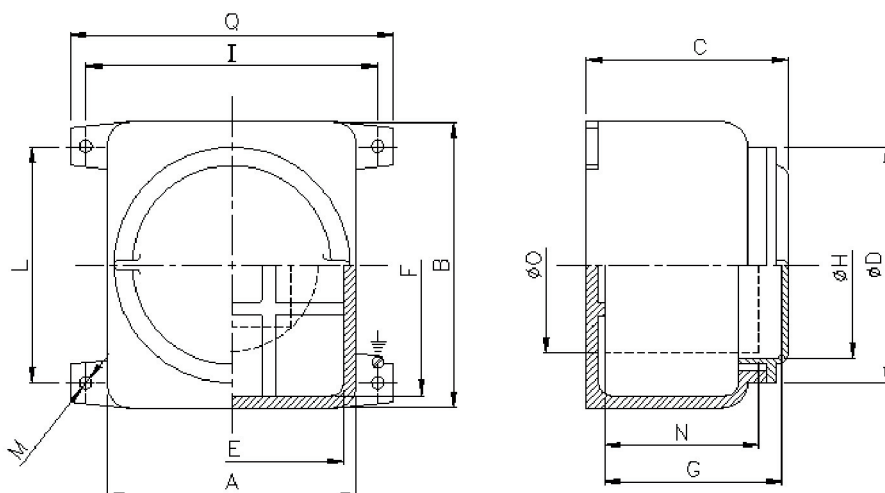
Material	Aluminum Light Alloy
----------	----------------------

Painting	external epoxy RAL 7000
----------	-------------------------

Standards and Certificates		Directive 2014/34/EU (ATEX)
		EN 60079 - 0 • EN 60079 - 1 EN 60079 - 11 • EN 60079 - 31
		BVI 14 ATEX 0007
		BVI 14 ATEX 0008U
		IEC 60079 - 0 • IEC 60079 - 1 IEC 60079 - 11 • IEC 60079 - 31
		IECEx EPS 14.0017
		IECEx EPS 14.0016U

- Ideal to interconnect the wires and to accommodate a vast variety of equipment and instruments.
- Internal anti-condense painting RAL 2004.
- Certificated either for the version complete with electrical apparatus or empty as an Ex component.

Options	- Various paints RAL 7000	- Accessories see page B18	- External units (signaling units, pushbuttons, etc.)
	- Anti-corrosion technology: ALUMINOX	- Apparatus to be housed: see page B20.	



## NOTES

For enclosure cable entries layout see page B17.

For internal apparatus mounting plates see page B18.

For maximum dissippable power see page B19.

In presence of Intrinsically Safe apparatus see guidelines on page B20.

Type	Size	External Dimensions (mm)					Internal Dimensions (mm)					Mounting Template (mm)			Electrical apparatus (mm)		Weight (kg)
		A	B	C	ØD	Q	E	F	G	ØH	I	L	M	N	ØO		
CCA	0	150	150	110	130	195	122	122	90	102	175	125	8	80	95	2,9	
CCA	1	165	165	120	145	210	137	137	100	117	190	140	8	90	110	3,5	
CCA	2	190	190	150	166	238	160	160	122	135	215	165	8	110	125	5,6	
CCA	3	225	255	172	200	290	193	223	145	161	260	220	10	130	156	10,4	
CCA	4	270	305	202	240	330	238	273	160	198	300	270	10	145	190	14,6	
CCA	5	300	340	240	270	360	264	304	190	225	330	300	10	175	217	21,3	

## Example: CCA 3 - Mod. KIU3

Order Coding

Type  
**CCA**

Size  
**3**

Type of apparatus housed in the enclosure  
K = Electrical apparatus non I.S.  
KI = presence of I.S. electrical apparatus

Presence of control and/or signalling units  
**U**

Units Size  
1: up to 1/2" - M20  
2: up to 3/4" - M25  
**3: up to 1"**

# ENCLOSURES with THREADED LID and EXTENSION for MEASURING and CONTROL DEVICES and SYSTEMS

series  
**CCA**

Protection	Gas	Zone	1-2	II2G	Ex db IIC T6÷T4 Gb
	Dust	Zone	21-22	II2D	Ex tb IIIC T85°C÷T135°C Db

Degree of Protection	IP66/67
----------------------	---------

Amb. Temp.	Standard	-20°C	+40°C
	Extended	-50°C	+80°C



Entries Threading	NPT
	Metric

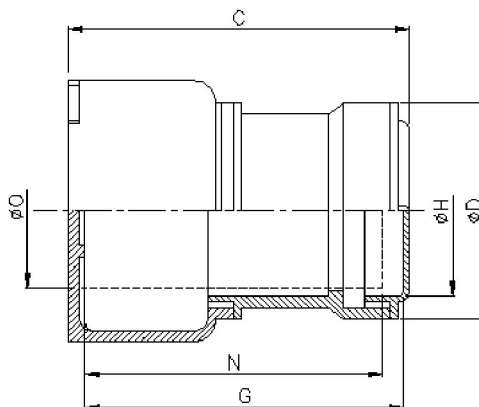
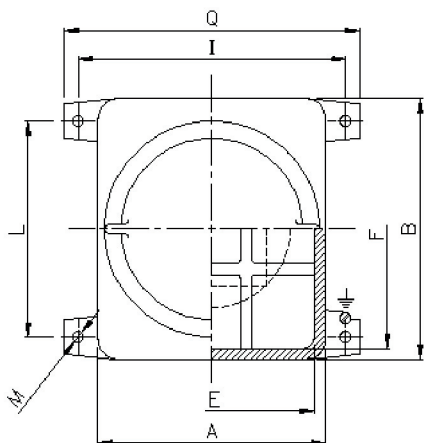
Material	Aluminum Light Alloy
----------	----------------------

Painting	external epoxy RAL 7000
----------	-------------------------

Standards and Certificates	Directive 2014/34/EU (ATEX)
	EN 60079 - 0 • EN 60079 - 1 EN 60079 - 11 • EN 60079 - 31
CE	BVI 14 ATEX 0007
U	BVI 14 ATEX 0008U
IECEx	IEC 60079 - 0 • IEC 60079 - 1 IEC 60079 - 11 • IEC 60079 - 31
	IECEx EPS 14.0017
	IECEx EPS 14.0016U

- Ideal to interconnect the wires and to accommodate a vast variety of equipment and instruments.
- Internal anti-condense painting RAL 2004.
- Standard or extended depth by adding one of the extensions (short or long) to accommodate larger instruments.
- Certificated either for the version complete with electrical apparatus or empty as an Ex component.

Options	- Various RAL paints	- Accessories see page B18	- External units (signaling units, pushbuttons, etc.)
	- Anti-corrosion technology: ALUMINOX	- Apparatus to be housed: see page B20.	



## NOTES

(°) Data refer to enclosures with short extension and long extension respectively.

For enclosure cable entries layout see page B17.

For internal apparatus mounting plates see page B18.

For maximum dissipable power see page B19.

In presence of Intrinsically Safe apparatus see guidelines on page B20.

Type	Size	External Dimensions (mm)					Internal Dimensions (mm)					Mounting Template (mm)			Electrical apparatus (mm)		Weight (kg)
		A	B	C (°)	ØD	Q	E	F	G (°)	ØH	I	L	M	N (°)	ØO		
CCA	0	150	150	170-201	130	195	122	122	150-180	102	175	125	8	140-170	95	3,2	
CCA	1	165	165	183-223	145	210	137	137	160-200	117	190	140	8	150-190	110	3,8	
CCA	2	190	190	243-293	166	238	160	160	210-260	135	215	165	8	195-245	125	7,0-7,3	
CCA	3	225	255	260-335	200	290	193	223	240-315	161	260	220	10	225-300	156	12,5-13,4	
CCA	4	270	305	305-380	240	330	238	273	260-335	198	300	270	10	245-320	190	17,6-19,0	
CCA	5	300	340	350-440	270	360	264	304	300-390	225	330	300	10	285-375	217	25,0-26,9	

## Example: CCA 1/160 - Mod. KIU3

Order Coding

Type <b>CCA</b>	Size <b>1</b>	Internal depth G (with extension only) <b>160</b>	Type of apparatus housed within the enclosure K = non I.S. electrical apparatus KI = presence of I.S. electrical apparatus	Presence of control and/or signalling units <b>U</b>	Units Size 1: up to 1/2" - M20 2: up to 3/4" - M25 3: up to 1"
--------------------	------------------	--	--	---	---