

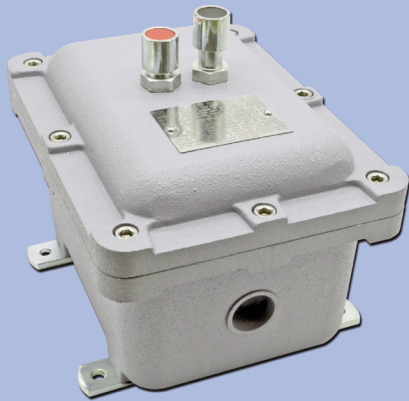
# Special execution ENCLOSURE WITH MOTOR PROTECTION CIRCUIT BREAKER

**model**  
**CCF 1G IS**

Protection	Gas	Zone	1-2	II2G	Ex db IIB+H2 T6÷T3 Gb
	Dust	Zone	21-22	II2D	Ex tb IIIC T85°C÷T200°C Db

Degree of Protection	IP66
----------------------	------

Amb. Temp.	Standard	-20°C	+40°C



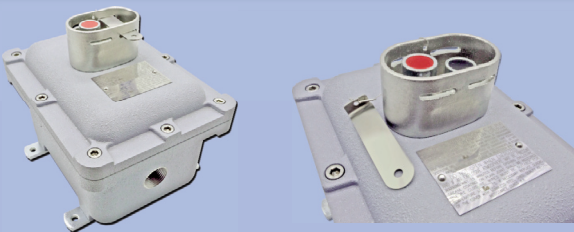
Entries Threading	NPT
	Metric

Material	Aluminium Light Alloy
----------	-----------------------

Painting	Epoxy RAL 7000
----------	----------------

Standards and Certificates	Directive 2014/34/EU (ATEX)
	EN 60079 - 0 • EN 60079 - 1 EN 60079 - 11 • EN 60079 - 31
	CE INERIS 14 ATEX 0008X
	U INERIS 14 ATEX 9005U
	IEC 60079 - 0 • IEC 60079 - 1 IEC 60079 - 11 • IEC 60079 - 31
	IECEx INE 13.0065X IECEx INE 14.0056U

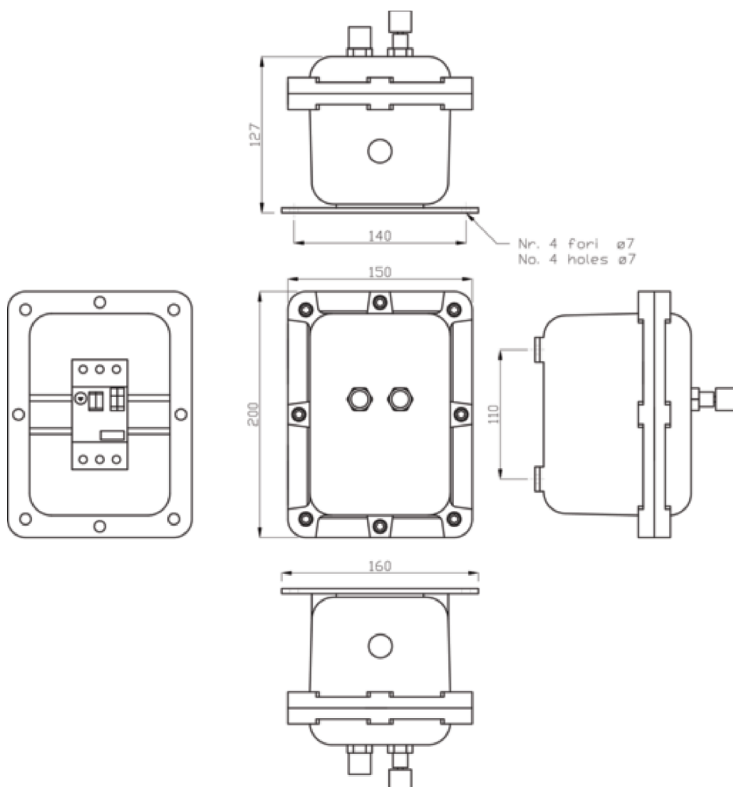
### Option with protective guard



- Internal anti-condensate painting RAL 2004.
- External screws in Stainless Steel.
- Fixing brackets in galvanized steel.
- Standard drilling arrang.: 2 cable entries ø 3/4" NPT (top/bottom).
- Construction is based on a MPCB max 32A (3 poles) from series GV2-ME...(Schneider Electric).  
For different models/brands please contact our sales office.
- More information on main CCF...dimensions table.
- The degree of protection IP66 is ensured by restoring the grease layer on the flat joint and by the presence and integrity of its specific gasket.

Options	- Different RAL... paint colors.	- Accessories see page B45.	- Stainless steel protective guard with st.st. lockable insert (see above photos)
	- Fixing brackets/lugs in stainless steel.	- Hinges (also available in stainless steel)	
	- Anti-corrosion technology: ALUMINOX.	- Different cable entries on request	

## Dimensions and Details



Ordering Code	Model	Current adjust. range (A)
CCF 1G IS	GV2-ME01	0.1-0.16
	GV2-ME02	0.16-0.25
	GV2-ME03	0.25-0.40
	GV2-ME04	0.40-0.63
	GV2-ME05	0.63-1
	GV2-ME06	1-1.6
	GV2-ME07	1.6-2.5
	GV2-ME08	2.5-4
	GV2-ME10	4-6.3
	GV2-ME14	6-10
	GV2-ME16	9-14
	GV2-ME20	13-18
	GV2-ME21	17-23
	GV2-ME22	20-25
GV2-ME32	24-32	