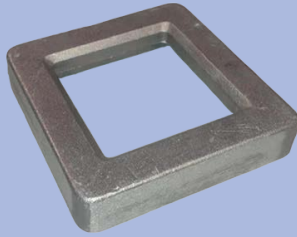
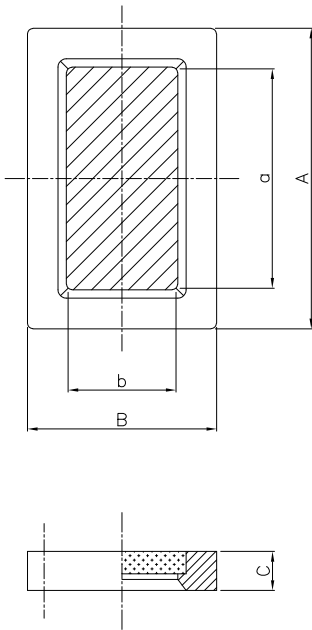


## RECTANGULAR FRAMES Series T

series  
**CCF**



- Material: Aluminum light alloy
- Thermoresistant tempered glass.
- Paintable such as the enclosure where it is mounted



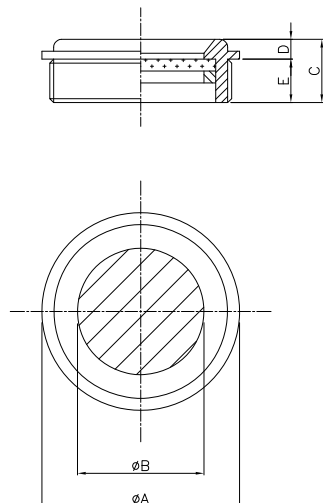
Order Code	Dimensions (mm)					Weight (g)
	A	B	C	a	b	
T 00	96	96	23	49	49	460
T 01	120	96	23	73	49	575
T 02	146	96	23	98	49	660
T 03	194	96	23	146	49	880
T 04	242	96	23	194	49	1035
T 07	290	96	27	242	49	1495
T 09	338	96	27	290	49	1685
T 11	125	125	28	73	73	890
T 12	150	125	28	98	73	895
T 13	198	125	28	146	73	1355
T 16	270	125	31	218	73	1815
T 19	342	125	31	290	73	2495
T 22	156	156	31	98	98	1530
T 23	204	156	31	146	98	1660
T 24	252	156	31	194	98	2280
T 25	258	156	31	200	98	2362
T 28	318	156	31	260	98	2925
T 29	348	156	31	290	98	3054
T 33	208	208	37	146	146	3045
T 34	256	208	37	194	146	3660

## CIRCULAR GLASS WINDOWS Series TC

series  
**CCF**



- Material: Aluminum light alloy
- Thermoresistant tempered glass.
- Paintable such as the enclosure where it is mounted



Order Code	Dimensions (mm)					Weight (g)
	ØA	ØB	C	D	E	
TC 4	71	38	29	10	19	165
TC 6	91	50	29	9	20	225
TC 7	130	82	35	14	21	490
TC 9	145	96	35	13	22	615
TC 15	165	115	37	14	23	850
TC 18	199	140	41	17	24	1405
TC 22	240	165	48	22	26	2565
TC 25	270	195	50	22	28	2985