

# BENDS

series  
**ELF**

Protection	Gas	Zone	1-2	II2G	Ex d I Mb Ex d IIC Gb Ex e IIC Gb
	Dusts	Zone	21-22	II2D	Ex tb IIIC Db

Degree of Protection	IP66
----------------------	------

Amb. Temp.	Standard	-20°C	+40°C
	Extended	-60°C	+180°C



Entries Threading	NPT ANSI B1.20 or Metric ISO 262
-------------------	----------------------------------

Material	Stainless Steel 316L
----------	----------------------

**Standards and Certificates**

Directive 2014/34/EU (ATEX)

EN 60079 - 0 • EN 60079 - 1  
EN 60079 - 7 • EN 60079 - 31

CE INERIS 14 ATEX 0029X

IEC 60079 - 0 • IEC 60079 - 1  
IEC 60079 - 7 • IEC 60079 - 31

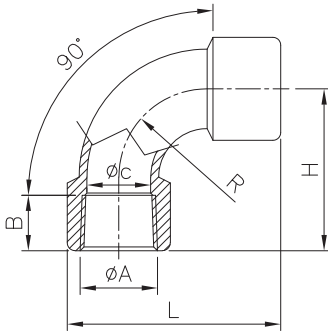
IECEx INE 14.0038X

• 90° Bends Series ELF are used in the electrical installation in tube.

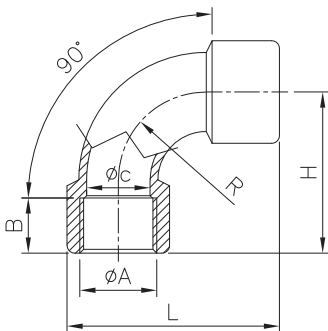
**Options**

- Materials: Nickel Plated Brass (B)

- Size greater than 3".



Code	Dimensions (mm)						Weight (g)
	ØA	B	Øc	L	H	R	
ELF 38	3/8" NPT	17	10	61	50	30	120
ELF 1	1/2" NPT	19	14	68	55	30	170
ELF 2	3/4" NPT	19	20	71	55	30	230
ELF 3	1" NPT	24	25	85	65	35	430
ELF 4	1.1/4" NPT	24	32	99	75	45	500
ELF 5	1.1/2" NPT	24	40	114	85	55	630
ELF 6	2" NPT	24	50	136	100	70	1100
ELF 7	2.1/2" NPT	32	60	178	135	95	2300
ELF 8	3" NPT	32	76	210	160	120	4100



Code	Dimensions (mm)						Weight (g)
	ØA	B	Øc	L	H	R	
ELF 16	M16x1.5	17	10	61	50	30	120
ELF 20	M20x1.5	19	14	68	55	30	170
ELF 25	M25x1.5	19	20	71	55	30	230
ELF 32	M32x1.5	24	25	85	65	35	430
ELF 40	M40x1.5	24	32	99	75	45	500
ELF 50	M50x1.5	24	40	114	85	55	770
ELF 63	M63x1.5	24	50	136	100	70	1240
ELF 75	M75x1.5	24	60	178	135	95	2230
ELF 90	M90x1.5	24	76	210	160	120	3100

**NOTES**

- Extended operating temperature range is -40°C ÷ +100°C with EPDM O-ring.
- Extended operating temperature range is -60°C ÷ +180°C with Silicone O-ring.

- The fitting may be mounted on electrical equipment suitable for group IM2 (firedamp mines) if it is not made of Aluminum light alloy. The resulting mode of protection will be: Ex d I Mb.

**Example: ELF3S**

**Order Coding**

Type
<b>ELF</b>

Size and Threading
<b>38/1/2/3/4/5/6/7/8 = NPT ANSI B1.20</b>
<b>16/20/25/32/40/50/63/75/80/85/90 = Metric ISO 262</b>

Material
<b>B = Nickel Plated Brass</b>
<b>S = Stainless Steel AISI 316L</b>