

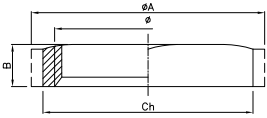
LOCKNUTS

series
DL

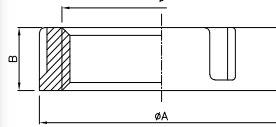


Material	DL1÷DL6 Zinc plated Steel	DL7÷DL12 Aluminum light alloy
	metric DL Nickel plated Brass	

Threading	ISO 228 or metric ISO 262
-----------	------------------------------------



Code	Dimensions (mm)			Ch	Weight (g)
	Ø	ØA	B		
DL 1	1/2"	31	6	27	8
DL 2	3/4"	37	6	30	8
DL 3	1"	44	6	38	16
DL 4	1.1/4"	58	8	50	36
DL 5	1.1/2"	64	8	55	42
DL 6	2"	82	10	65	46



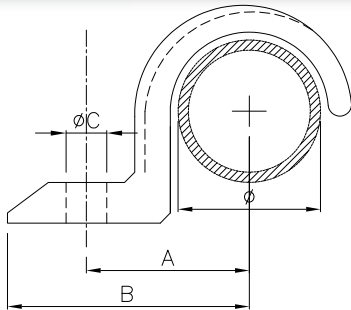
Code	Dimensions (mm)			Weight (g)
	Ø	ØA	B	
DL 7	2.1/2"	90	18	75
DL 8	3"	104	20	112
DL 9	4"	132	22	178
DL 12	5"	157	22	-

CLAMPS

series
GF



Material	Zinc plated Steel
----------	-------------------------



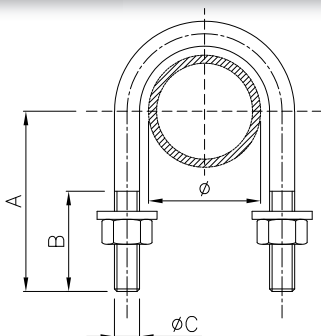
Code	Dimensions (mm)				Weight (g)
	Ø	A	B	ØC	
GF 1	1/2"	30	48	9	35
GF 2	3/4"	34	50	9	45
GF 3	1"	40	60	9	55
GF 5	1.1/2"	45	70	11	130
GF 6	2"	60	80	13	160
GF 7	2.1/2"	75	100	10	340
GF 8	3"	85	115	10	525
GF 9	4"	85	115	13	630

ANCHORS

series
GH



Material	Tropicalized Steel
----------	-----------------------



Code	Dimensions (mm)				Weight (g)
	Ø	A	B	ØC	
GH 1	1/2"	30	25	M6	25
GH 2	3/4"	35	25	M6	30
GH 3	1"	40	30	M6	35
GH 4	1.1/4"	45	30	M6	40
GH 5	1.1/2"	55	40	M8	80
GH 6	2"	60	40	M8	95
GH 7	2.1/2"	70	40	M8	105
GH 8	3"	75	45	M10	200
GH 9	4"	83	45	M10	225