

INCREASED SAFETY LIGHTING FIXTURES

series
AVF

Protection	Gas	Zone	1-2	II2G	Ex de IIC T5 Gb
	Dusts	Zone	21-22	II2D	Ex tb IIIC T70°C Db

Degree of Protection	IP66
----------------------	------

Amb. Temp.	Standard	-20°C	+40°C
	Extended	-20°C	+50°C

Entries Threading	M25x1,5 ISO 262
-------------------	--------------------

Material	GRP
----------	-----

Painting	n.a.
----------	------

Standards and Certificates



Directive 2014/34/EU (ATEX)

EN 60079-0 • EN 60079-1
EN 60079-7 • EN 60079-31

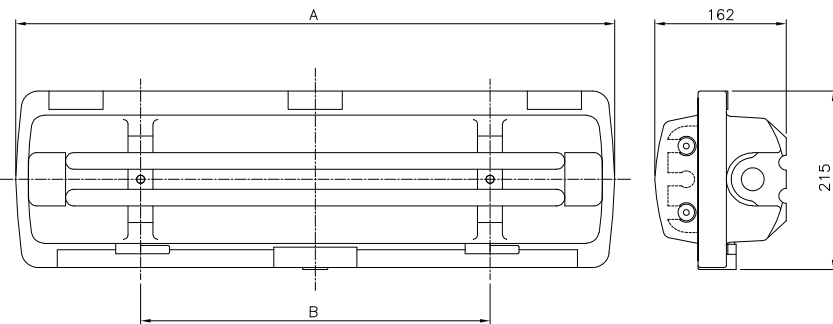
CEC 13 ATEX 024



- Increased safety lighting fixtures completed with fluorescent T8 tubes with G13 bipin plugs.
- Electronic ballast (230 V AC - 50 Hz - cosφ>0.9) suitable for ignition at low temperatures.
- Body in GRP (glass-reinforced polyester), transparent part in polycarbonate and internal reflector in white anodized aluminum.
- Supplied with cable gland (13÷18 mm) and plugs.
- External fittings in Stainless Steel.

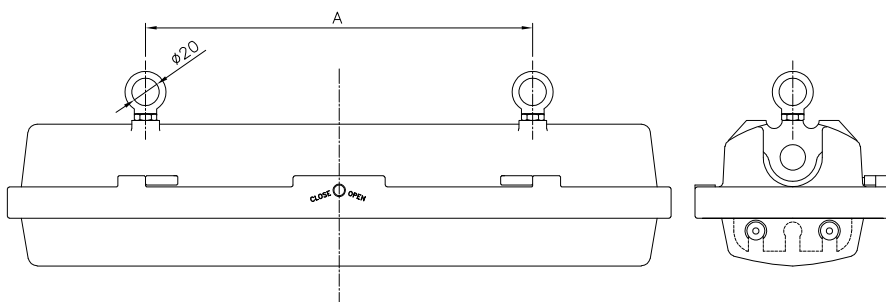
Option - Different voltages (110 V AC).
- Frequency 60 Hz.

- Version with LED lamp (code AVL...) see page G18.



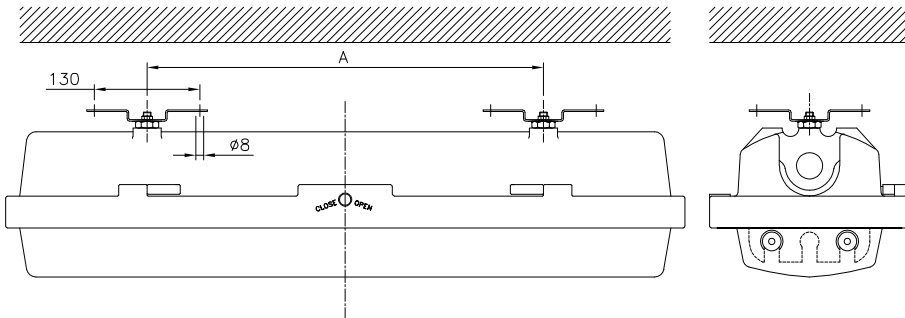
Code	Lamps	A (mm)	B (mm)
AVF 118	1 x 18 W	732	400
AVF 218	2 x 18 W	732	400
AVF 136	1 x 36 W	1342	450
AVF 236	2 x 36 W	1342	450

AVFS: Suspended installation



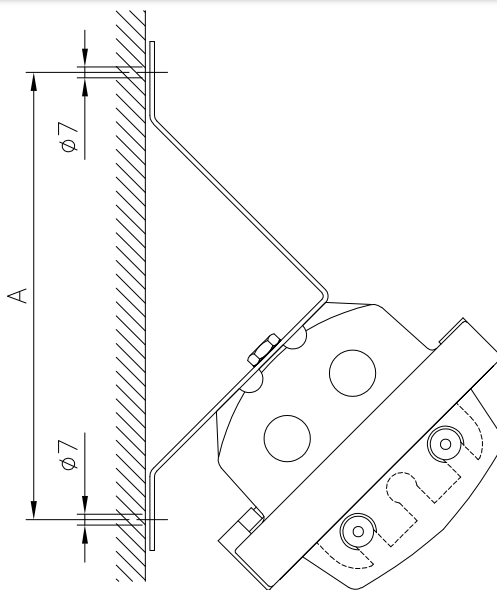
Code	Lamps	A (mm)
AVFS 118	1 x 18 W	400
AVFS 218	2 x 18 W	400
AVFS 136	1 x 36 W	450
AVFS 236	2 x 36 W	450

AVFC: Ceiling installation



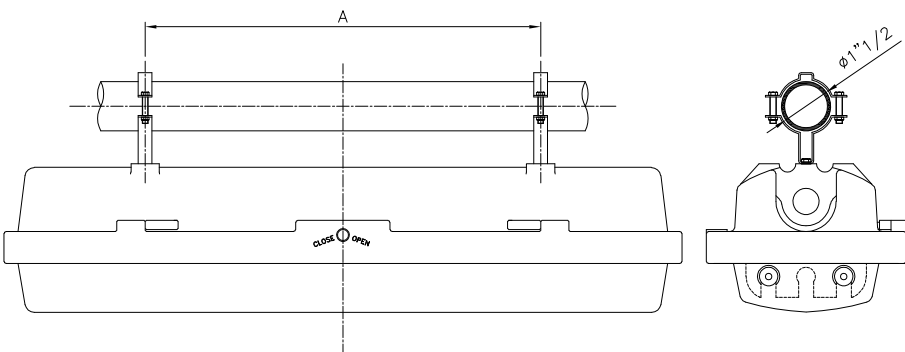
Code	Lamps	A (mm)
AVFC 118	1 x 18 W	400
AVFC 218	2 x 18 W	
AVFC 136	1 x 36 W	450
AVFC 236	2 x 36 W	

AVFJ: 45° wall installation



Code	Lamps	A (mm)
AVFJ 118	1 x 18 W	400
AVFJ 218	2 x 18 W	
AVFJ 136	1 x 36 W	450
AVFJ 236	2 x 36 W	

AVFP: Pole installation



Code	Lamps	A (mm)
AVFP 118	1 x 18 W	400
AVFP 218	2 x 18 W	
AVFP 136	1 x 36 W	450
AVFP 236	2 x 36 W	

Example: AVFC 236L

Order Coding

Type
AVF

Installation mode

S = suspended

C = ceiling

J = 45° wall

P = pole

Lamps no.

1 = 1 lamp

2 = 2 lamps

Power

18 = 18 W

36 = 36 W

Accessories

L = fluorescent tube (std)