

EMERGENCY INCREASED SAFETY LIGHTING FIXTURES

series
AVFE

Protection	Gas	1-2	II2G	Ex de IIC T5 Gb
	Dusts	21-22	II2D	Ex tb IIIC T70°C Db

Degree of Protection	IP66
----------------------	------

Amb. Temp.	Standard	-20°C	+40°C
	Extended	-20°C	+50°C



Entries Threading	M25x1,5 ISO 262
-------------------	--------------------

Material	GRP
----------	-----

Painting	n.a.
----------	------

Standards and Certificates

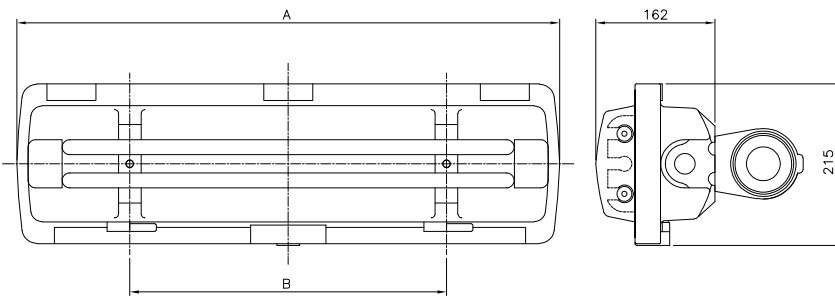


Directive 2014/34/EU (ATEX)
EN 60079-0 • EN 60079-1 EN 60079-7 • EN 60079-31
CE CEC 13 ATEX 024

- Increased safety lighting fixtures completed with fluorescent T8 tubes with G13 bipin plugs.
- Electronic ballast (230 V AC - 50 Hz - cosφ>0.9) suitable for ignition at low temperatures.
- Body in GRP (glass-reinforced polyester), transparent part in polycarbonate and internal reflector in white anodized aluminum.
- Supplied with cable gland (13÷18 mm) and plugs.
- Battery charger/inverter, 4 Ah Ni-Cd batteries with switch, installed in external enclosure.
- Backup time: 18 W=120' / 36 W=90'.
- Recharging time: 24 h.
- The electrical apparatuses (safety switch, terminal strip and power supply), mounted on the chassis, ensure ease access and maintenance.
- External fittings in Stainless Steel.

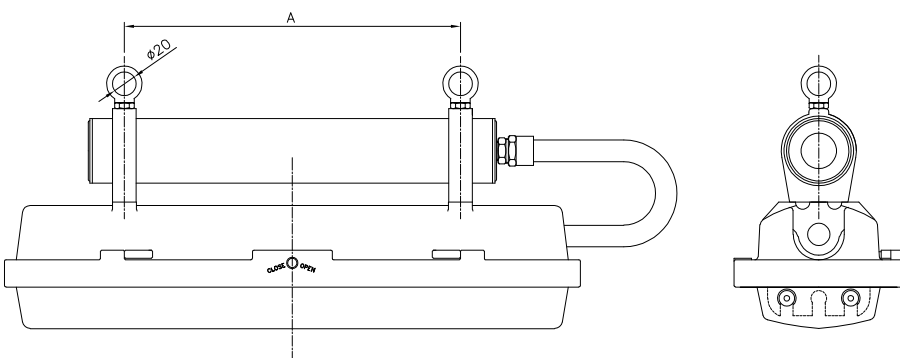
- Options**
- Different voltages (110 V AC).
 - Frequency 60 Hz.

- Version with LED lamp (code AVLE...) see page G18.
- Emergency version with wording EXIT.



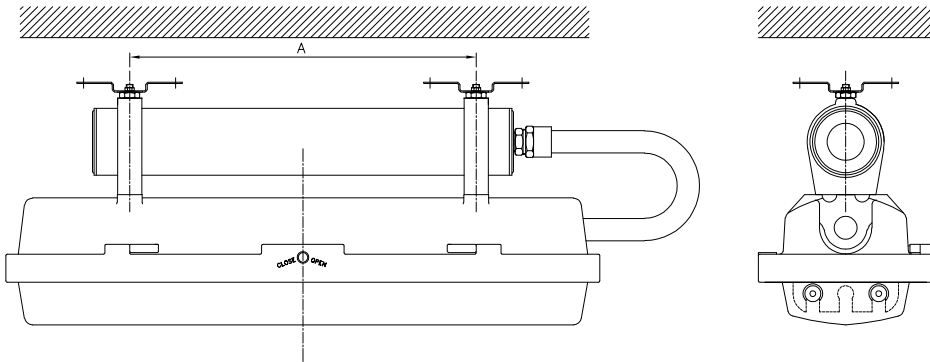
Code	Lamps	A (mm)	B (mm)
AVFE 118	1 x 18 W	732	400
AVFE 218	2 x 18 W ^(*)	732	400
AVFE 136	1 x 36 W	1342	450
AVFE 236	2 x 36 W ^(*)	1342	450

AVFES: Suspended installation



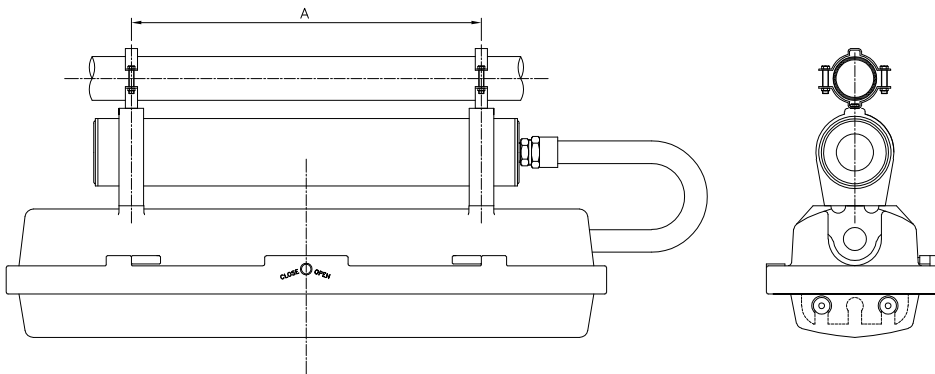
Code	Lamps	A (mm)
AVFES 118	1 x 18 W	400
AVFES 218	2 x 18 W ^(*)	400
AVFES 136	1 x 36 W	450
AVFES 236	2 x 36 W ^(*)	450

AVFEC: Ceiling installation

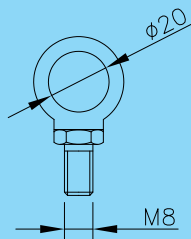


Code	Lamps	A (mm)
AVFEC 118	1 x 18 W	400
AVFEC 218	2 x 18 W(*)	
AVFEC 136	1 x 36 W	450
AVFEC 236	2 x 36 W(*)	

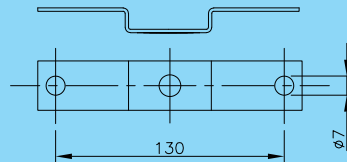
AVFEP: Pole installation



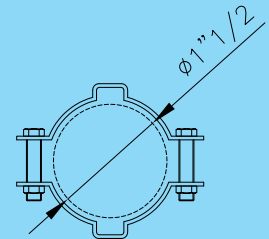
Code	Lamps	A (mm)
AVFEP 118	1 x 18 W	400
AVFEP 218	2 x 18 W(*)	
AVFEP 136	1 x 36 W	450
AVFEP 236	2 x 36 W(*)	



M8 Eyebolt - Code **AVFES 34/1**



Bracket - Code **EVFC 4/1**



1.½" collar - Codice **EVFP 34/1**

NOTES

(*) In emergency mode only one lamp is powered.

Example: AVFES 218L

Order Coding

Type AVFE	Installation mode S = suspended C = ceiling P = pole	Lamps no. 1 = 1 lamp 2 = 2 lamps	Power 18 = 18 W 36 = 36 W	Accessories L = fluorescent tube (std)
---------------------	--	--	---	--