

INCREASED SAFETY LED LIGHTING FIXTURES

series
AVL/AVLE

Protection	Gas	Zone	1-2	II2G	Ex de IIC T5 Gb
	Dusts	Zone	21-22	II2D	Ex tb IIIC T70°C Db

Degree of Protection	IP66
----------------------	------

Amb. Temp.	Standard	-20°C	+40°C
	Extended	-20°C	+50°C

Entries Threading	M25x1,5 ISO 262
-------------------	--------------------

Material	GRP
----------	-----

Painting	n.a.
----------	------

Standards and Certificates



Directive 2014/34/EU (ATEX)

EN 60079-0 • EN 60079-1
EN 60079-7 • EN 60079-31

CE CEC 13 ATEX 024



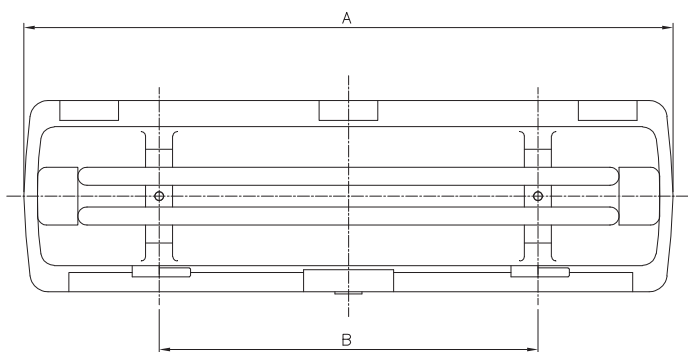
- Increased safety lighting fixtures completed with T8 LED tubes with G13 bipin plugs.
- Color temperature: 4000 K.
Beam angle: 120°.
- Suitable for suspended, ceiling, pole or 45° wall installation. Further information on pages G14-G15.
- Body in GRP (glass-reinforced polyester), transparent part in polycarbonate and internal reflector in white anodized aluminum.
- Supplied with cable gland (13÷18 mm) and plugs.
- External fittings in Stainless Steel.

Options

- Different voltages (110 V AC/DC - 24 V DC).
- Emergency version (code AVLE..).

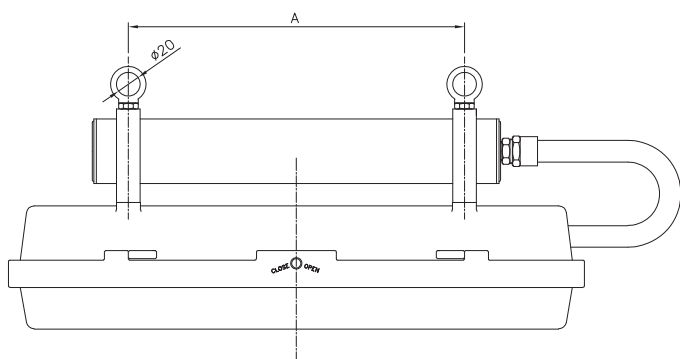
- Emergency version with wording EXIT (code AVLEJ 10EXIT).

AVL...: Lighting fixtures



Code	Dimensions (mm)		Lamps		
	A	B	No.	Power	Luminous Flux
AVL.. 10	732	400	1	10 ÷ 16 W	800 Lm
AVL.. 210	732	400	2	20 ÷ 32 W	1600 Lm
AVL.. 310	732	400	3	30 ÷ 48 W	2400 Lm
AVL.. 30	1342	450	1	20 ÷ 30 W	1600 Lm
AVL.. 230	1342	450	2	40 ÷ 60 W	3200 Lm
AVL.. 330	1342	450	3	60 ÷ 90 W	4800 Lm

AVLE...: Emergency lighting fixtures



Code	A (mm)	Lamps		
		No.	Power	Luminous FLux
AVLE.. 10	400	1	10 ÷ 16 W	800 Lm
AVLE.. 210	400	2	20 ÷ 32 W	1600 Lm
AVLE.. 310	400	3	30 ÷ 48 W	2400 Lm
AVLE.. 30	450	1	20 ÷ 30 W	1600 Lm
AVLE.. 230	450	2	40 ÷ 60 W	3200 Lm
AVLE.. 330	450	3	60 ÷ 90 W	4800 Lm