

LIGHTING FIXTURES

series
EVS

Protection	Gas	1-2	II2G	Ex db IIC T6÷T3 Gb
	Dusts	21-22	II2D	Ex tb IIIC T85°C÷T200°C Db

Degree of Protection	IP66/67
----------------------	---------

Amb. Temp.	Standard	-20°C	+40°C
	Extended	-50°C	+80°C



Entries Threading	NPT ANSI B1.20
-------------------	----------------

Material	Aluminum light alloy
----------	----------------------

Painting	External epoxy RAL 7000
----------	-------------------------

Standards and Certificates

Directive 2014/34/EU (ATEX)

EN 60079-0 • EN 60079-1
EN 60079-31

CE BVI 14 ATEX 0010

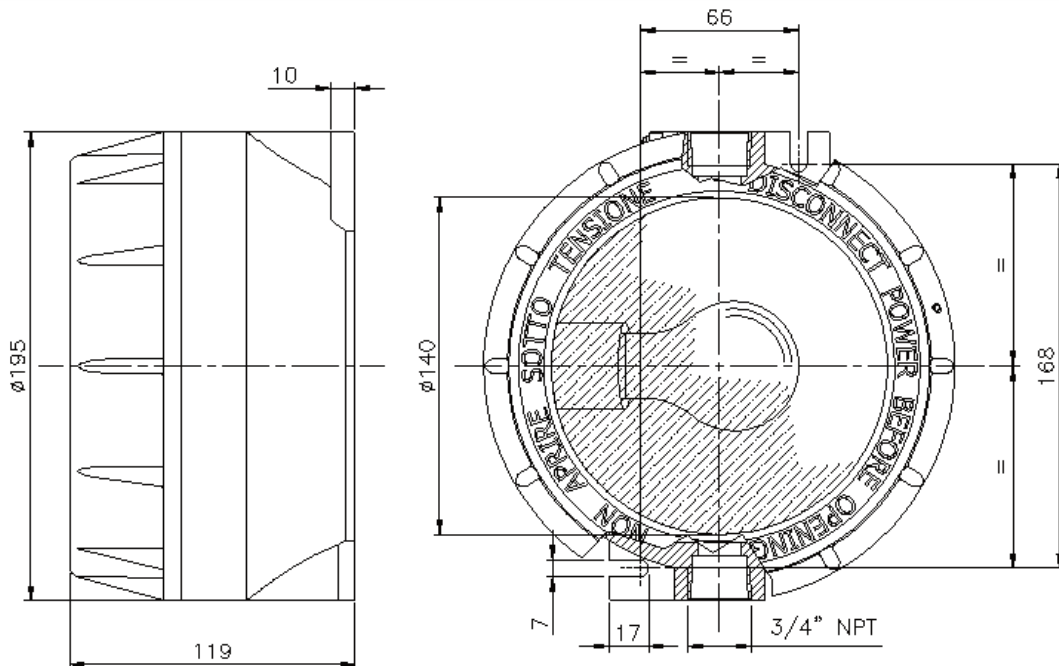
IEC 60079-0 • IEC 60079-1
IEC 60079-31

IECEx EPS 14.0035

- Lighting fixtures EVS 100N for halogen lamps up to 70 W (equal to 100 W incandescent lamps).
- Compact unit for use in tunnels, boiler rooms, rooms with low ceilings, narrow deposits and in all places where space does not permit the use of traditional lighting (EVA-EVF).
- Epoxyvinyl internal white coating for optimal luminosity
- Max power = 70 W (100 W).
- Max voltage = 240 V AC.
- External screws in Stainless Steel AISI 316.
- Weight: 2.8 kg.

Options

- External red paint RAL 3000.



Temperature class as a function of Ambient Temperature

HALOGEN < 70 W			ENERGY SAVING LAMP / LED		
Temperature Class	Max. Surface Temperature	Ambient Temperature	Temperature Class	Max. Surface Temperature	Ambient Temperature
T3	T200°C	-50°C ÷ +80°C	T6	T85°C	-50°C ÷ +50°C
			T5	T100°C	-50°C ÷ +60°C
			T4	T135°C	-50°C ÷ +80°C