

OPTICAL SIGNALLERS

series
EV..50/F

Protection	Gas	1-2	II2G	Ex d IIC T6 Gb
	Dusts	21-22	II2D	Ex tb IIC T85°C Db

Degree of Protection	IP65
----------------------	------


Amb. Temp.	Standard	-20°C	+40°C
	Extended	-20°C	+60°C



Entries Threading	EN 10226 (Gk)
-------------------	---------------

Painting	External epoxy RAL7000
----------	------------------------

Standards and Certificates



Directive 2014/34/EU (ATEX)

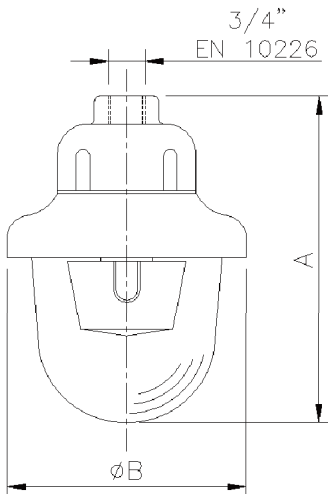
EN 60079-0 • EN 60079-1
EN 60079-31

CE INERIS 01 ATEX 0072X

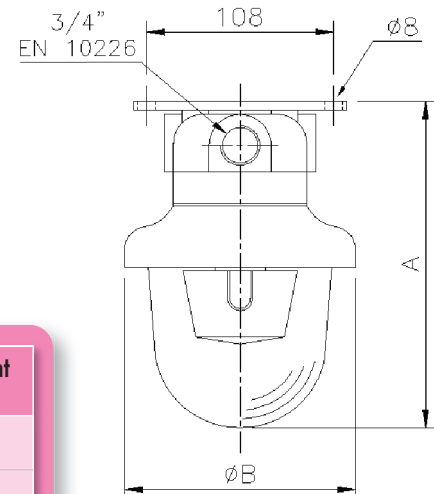
Material	<ul style="list-style-type: none"> • Body in Aluminum light alloy. • Safety globe: tempered borosilicate.
----------	---

- Reduced dimensions by virtue of the fixture type EVA 50; they are normally associated to alarm and signalling systems, either fixed or mobile.
- Complete with blinking Xenon flash lamp.
- Connection E27.
- Power Supply 12V / 24V d.c./ a.c..
- Continuous duty.

- Options**
- Cage in Stainless Steel AISI 304.
 - Painting RAL 3000.
 - Power Supply 110 or 230 VAC.
 - Signalling colors (Light Blue, White, Yellow, Orange, Red, Green).
 - Cable entries NPT ANSI B1.20.1 (N) or Metric ISO 262 (M).



EVA 50/F



EVC 50/F

Code	A (mm)	ØB (mm)	Cable Entries	Weight (kg)
EVA 50/F	200	135	1 x 3/4"	1,4
EVC 50/F	200	135	2 x 3/4"	1,5

Electric Characteristics							
Voltage Code	Voltage (V)	Frequency (Hz)	Current (mA)	Power (W)	Thermal emission (J)	Blinking (cycles/min)	Duty
1	12 ÷ 24 VAC/DC	---	90 ÷ 130	1 ÷ 3	6	75	continuous
3	110 VAC	50 / 60	15	1,8	6	110	continuous
4	230 V	50 / 60	20	4,5	6	110	continuous

Example: EVA 50/FR3

Order Coding

Type	Installation mode	Lamp	Color	Voltage
EV	A = suspension C = ceiling	F = Flashing	A = Light Blue B = White G = Yellow O = Orange R = Red V = Green	1 = 12/24 V 2 = 48 V 3 = 110V 4 = 230 V