

MUSHROOM PUSH BUTTON

series
RX - RS

Protection	Gas	1-2	II2G	Ex d IIC or IIB+H ₂ Gb
	Dusts	21-22	II2D	Ex tb IIIC Db
	Mine	n.d.	IM2	Ex d I Mb

Degree of Protection
IP66

Amb. Temp. Standard -20°C +40°C
Extended -50°C +80°C

Standards and Certificates



Directive 2014/34/EU (ATEX)

EN 60079-0 • EN 60079-1 • EN 60079-31

U INERIS 14 ATEX 9009U



IEC 60079-0 • IEC 60079-1 • IEC 60079-31

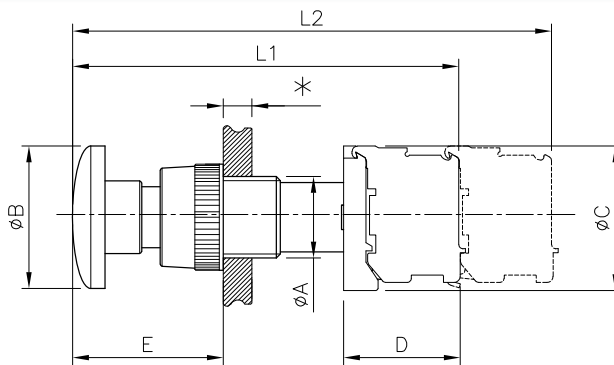
IECEX INE 14.0023U



- Body in Nickel plated Brass.
- Drive shafts in Stainless Steel AISI 316L.
- Mushroom Push Button in Polyamide 6.
- Ring nuts in Nickel plated Brass (on request Stainless Steel or Polycarbonate).
- Operating temperature: -50°C ÷ +180°C.

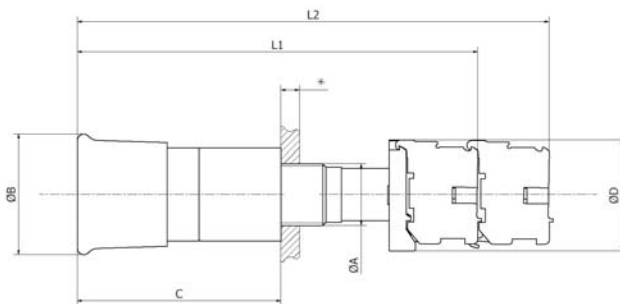
Options
- Complete Stainless Steel version (RX...I & RS...I).
- Two or more contacts available.

- Black color mushroom button.



F = Normal

Type	ØA Threading	ØB	ØC	D	E	L1	L2	Weight (g)
RX1F..	M20x1,5	35	38	29	30	86	109	66
RX2F..	M25x1,5	50	38	29	30	86	109	88
RS1F..	M20x1,5	35	38	29	30	92	115	76
RS2F..	M25x1,5	50	38	29	30	92	115	108



FP = Push-Pull

Type	ØA Threading	ØB	C	ØD	L1	L2	Weight (g)
RX1FP..	M20x1,5	40	72	38	135	160	187
RX2FP..	M25x1,5	40	72	38	135	160	205
RS1FP..	M20x1,5	40	72	38	135	160	187
RS2FP..	M25x1,5	40	72	38	135	160	205

NOTES

The control and signaling units get same temperature class as the enclosure on which they are installed.

(*) Units RX.. shall be installed on enclosures with internal volume up to 2 dm³; whereas units RS.. shall be installed on enclosures with volume up to 160,6 dm³ for group IIB+H₂ and up to 62,9 dm³ for group IIC.

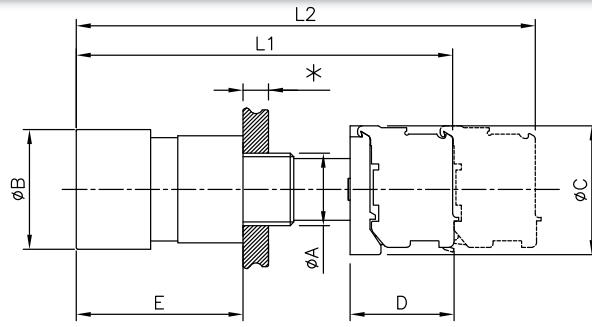
These units may be installed on electrical equipment suitable for group IM2 (firedamp mines) if no component is made of light alloy. In such case mode of protection will be labelled Ex d I Mb.

(*) See page B11 for enclosures CCA-CPS, page 321 for CCL-CPL and page B31 for CCF

Contacts: more information on page C23.

MUSHROOM PUSH BUTTON

series
RX - RS



FR = With rotary release

NOTE

The control and signaling units get same temperature class as the enclosure on which they are installed.

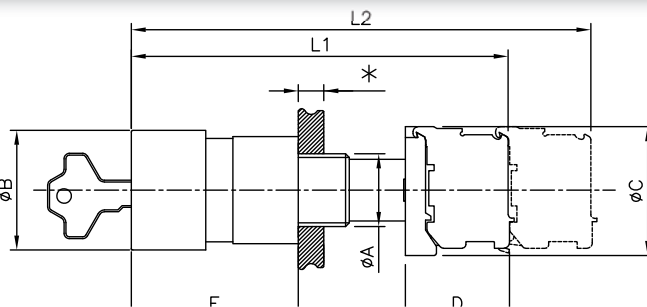
These units may be installed on electrical equipment suitable for group IM2 (firedamp mines) if no component is made of light alloy.

In such case mode of protection will be labelled Ex d I Mb.

(*) See page B11 for enclosures CCA-CPS, page B21 for CCL-CPL and page B31 for CCF.

Contacts: more information on page C23.

Type	ØA Threading	ØB	ØC	D	E	L1	L2	Weight (g)
RX1FR..	M20x1,5	33	38	29	57	113	136	168
RX2FR..	M25x1,5	33	38	29	57	113	136	174
RS1FR..	M20x1,5	33	38	29	57	119	142	178
RS2FR..	M25x1,5	33	38	29	57	119	142	194



FY = with key release

Type	ØA Threading	ØB	ØC	D	E	L1	L2	Weight (g)
RX1FY..	M20x1,5	33	38	29	57	113	136	168
RX2FY..	M25x1,5	33	38	29	57	113	136	174
RS1FY..	M20x1,5	33	38	29	57	119	142	178
RS2FY..	M25x1,5	33	38	29	57	119	142	194

Example: RX1FRR-01

Order Coding

Type	Size	Main Function	Push button color	Electric Contact
RX = V < 2 dm ³ (°)	1 = M20x1,5	F = normal	R = red	10 = 1 NO
RS = V > 2 dm ³ (°)	2 = M25x1,5	FR = with rotary release	N = black	01 = 1 NC
		FY = with key release		11 = 1 NO+1 NC

ACCESSORIES for MUSHROOM PUSH BUTTON

serie
RX - RS

Protective plasti guard for mushroom pushbutton with rotary release RX1FR..., RX2FR..., RS1FR... e RS2FR... with lockable bracket to lock button in pressed position in order to have maintenance on plant.

ORDER CODING:

- RX1FR...GRD
- RX2FR...GRD
- RS1FR...GRD
- RS2FR...GRD

