

DRAINING VALVES

series
VDF

Protection	Mines	n.a.	IM2	Ex d I Mb
	Gas	1-2	II2G	Ex d IIC or IIB+H ₂ Gb - Ex e IIC Gb
	Dusts	21-22	II2D	Ex tb IIIC Db

Degree of Protection
IP66

Amb. Temp. Standard -20°C +40°C
Extended -60°C +60°C



Standards and Certificates



Directive 2014/34/EU (ATEX)

EN 60079-0 • EN 60079-1
EN 60079-7 • EN 60079-31

U

INERIS 14 ATEX 9014U



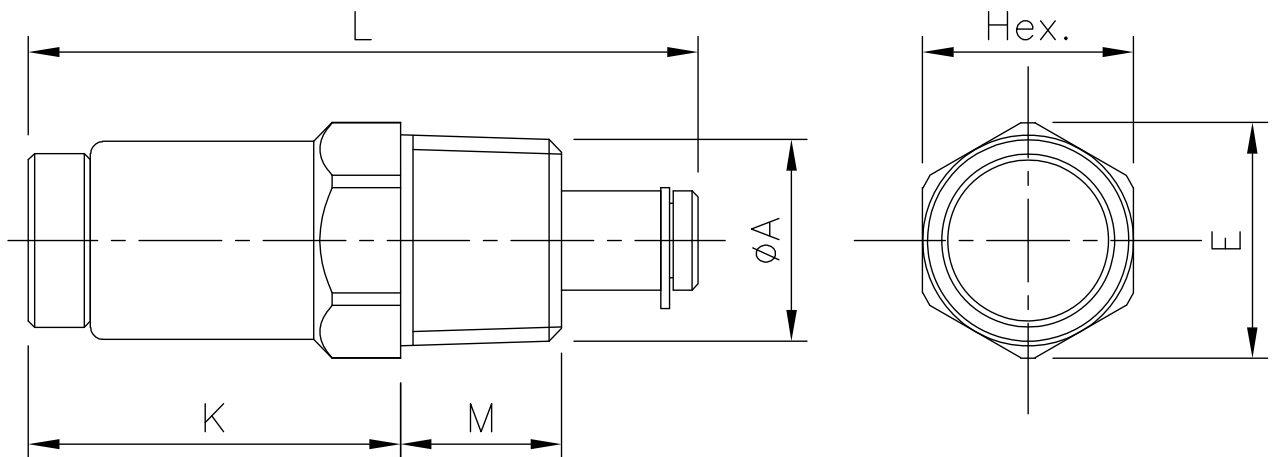
IEC 60079-0 • IEC 60079-1
IEC 60079-7 • IEC 60079-31

IECEx INE 14.0045U

- Draining valves with manual opening and closure operation.
- Particularly recommended for moist heat environments, they are used to allow the passage of any condensation from the internal to the external side of the explosionproof enclosure on which they are installed.
- Made completely in stainless steel AISI 316L.

Options

- Accessories see page C28.



Type	ØA Threading	M	K	Hex	E	L	Weight (g)
VDF38S	3/8" NPT	12	27	17	19	55	79
VDF1S	1/2" NPT	16	23	22	24	55	123
VDF16S	M16x1,5	12	27	22	24	55	109
VDF20S	M20x1,5	16	23	27	30	55	155

NOTES

Draining valves get same temperature class as the enclosure on which they are installed

Draining valves shall be installed on enclosures with volume up to 160,6 dm³ for group IIB+H₂ and up to 62,9 dm³ for group IIC.

Example: VDF38S

Order Coding

Type

VDF = draining valve

Size and Threading

38 = 3/8" NPT

1 = 1/2" NPT

16 = M16x1,5

20 = M20x1,5

Material

S = stainless steel AISI 316L