

# DRAINING VALVES

series  
**VDF**

Protection	Mines	n.a.	IM2	Ex d I Mb
	Gas	1-2	II2G	Ex d IIC or IIB+H <sub>2</sub> Gb - Ex e IIC Gb
	Dusts	21-22	II2D	Ex tb IIIC Db

Degree of Protection	IP66
----------------------	------

Amb. Temp.	Standard Extended	-20°C -60°C	+40°C +60°C



Standards and Certificates



Directive 2014/34/EU (ATEX)

EN 60079-0 • EN 60079-1  
EN 60079-7 • EN 60079-31

U INERIS 14 ATEX 9014U



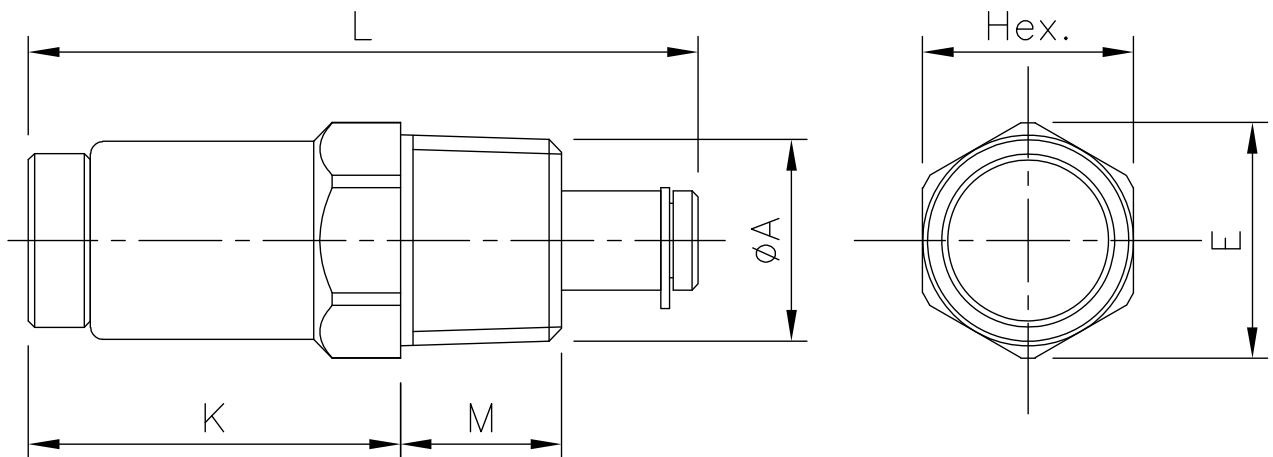
IEC 60079-0 • IEC 60079-1  
IEC 60079-7 • IEC 60079-31

IECEx INE 14.0045U

- Draining valves with manual opening and closure operation.
- Particularly recommended for moist heat environments, they are used to allow the passage of any condensation from the internal to the external side of the explosionproof enclosure on which they are installed.
- Made completely in stainless steel AISI 316L.

Options

- Accessories see page C28.



Type	ØA Threading	M	K	Hex	E	L	Weight (g)
VDF38S	3/8" NPT	12	27	17	19	55	79
VDF1S	1/2" NPT	16	23	22	24	55	123
VDF16S	M16x1,5	12	27	22	24	55	109
VDF20S	M20x1,5	16	23	27	30	55	155

## NOTES

Draining valves get same temperature class as the enclosure on which they are installed

Draining valves shall be installed on enclosures with volume up to 160,6 dm<sup>3</sup> for group IIB+H<sub>2</sub> and up to 62,9 dm<sup>3</sup> for group IIC.

### Example: VDF38S

Order Coding

Type  
**VDF** = draining valve

Size and Threading  
**38** = 3/8" NPT  
**1** = 1/2" NPT  
**16** = M16x1,5  
**20** = M20x1,5

Material  
**S** = stainless steel AISI 316L

# BREATHING VALVES

series  
**VD**

Protection	Mines	n.a.	IM2	Ex d I Mb
	Gas	1-2	II2G	Ex d IIC or IIB+H <sub>2</sub> Gb - Ex e IIC Gb
	Dusts	21-22	II2D	Ex tb IIIC Db

Degree of Protection  
**IP66(\*)**

Amb. Temp. Standard -20°C +40°C  
Extended -60°C +60°C



Standards and Certificates



Directive 2014/34/EU (ATEX)

EN 60079-0 • EN 60079-1  
EN 60079-7 • EN 60079-31

U

INERIS 14 ATEX 9014U

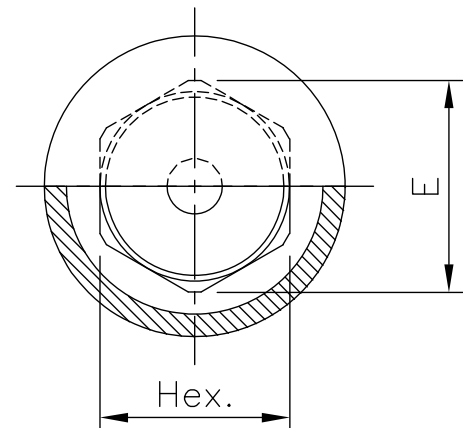
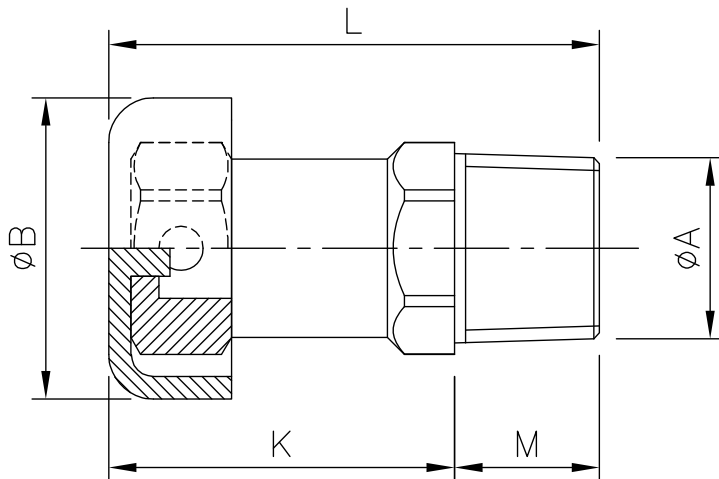


IEC 60079-0 • IEC 60079-1  
IEC 60079-7 • IEC 60079-31

IECEx INE 14.0045U

- Breathing valves.
- Particularly recommended for moist heat environments, they are used to allow the air passage from the internal to the external side of the explosionproof enclosure on which they are installed.
- Made completely in stainless steel AISI 316L.

Options - Accessories see page C28.



Type	ØA Threading	ØB	M	K	Hex	E	L	Weight (g)
VD38S	3/8" NPT	27	13	31	17	19	44	70
VD1S	1/2" NPT	32	17	27	22	24	44	119
VD16S	M16x1,5	32	13	31	22	24	44	104
VD20S	M20x1,5	37	17	27	27	30	44	155

## NOTES

Breathing valves get same temperature class as the enclosure on which they are installed

Breathing valves shall be installed on enclosures with volume up to 160,6 dm<sup>3</sup> for group IIB+H<sub>2</sub> and up to 62,9 dm<sup>3</sup> for group IIC.

(\*) degree of protection IP66 is guaranteed when the plastic cap (VD03) is installed on the valve. Without it the degree of protection is IP64.

## Example: VD20S

Order Coding

Type

**VD** = breathing valve

Size and Threading

**38** = 3/8" NPT

**1** = 1/2" NPT

**16** = M16x1,5

**20** = M20x1,5

Material

**S** = stainless steel AISI 316L

# BULKHEADS

series  
**P**

Protection	Mines	n.a.	IM2	Ex d I Mb
	Gas	1-2	II2G	Ex d IIC or IIB+H <sub>2</sub> Gb - Ex e IIC Gb
	Dusts	21-22	II2D	Ex tb IIIC Db

Degree of Protection  
**IP64**

Amb. Temp. Standard -20°C +40°C  
Extended -60°C +60°C



Standards and Certificates



Directive 2014/34/EU (ATEX)

EN 60079-0 • EN 60079-1  
EN 60079-7 • EN 60079-31

U

INERIS 14 ATEX 9014U



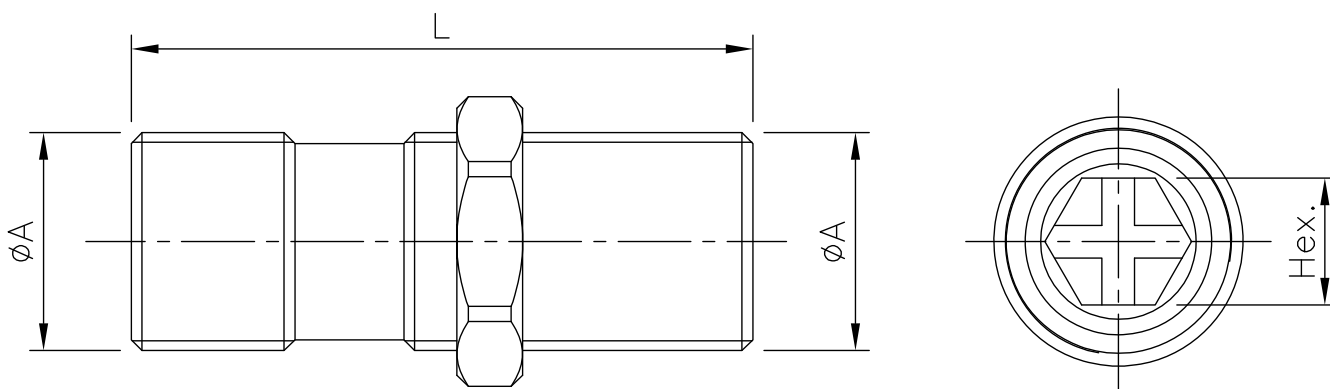
IEC 60079-0 • IEC 60079-1  
IEC 60079-7 • IEC 60079-31

IECEx INE 14.0045U

- They allow a gas or a liquid passage from inside to outside of explosion proof enclosure guaranteeing flame's lamination
- Made completely in stainless steel AISI 316L.

Options

- Accessories see page C28.



Type	ØA Threading	L (*)	Hex.	Weight (g)
P12S-52	M12x1,5	52	5	25
P12S-70	M12x1,5	70	5	37
P16S-52	M16x1,5	52	6	51
P16S-70	M16x1,5	70	6	73
P20S-52	M20x1,5	52	10	58
P20S-70	M20x1,5	70	10	86
P25S-52	M25x1,5	52	12	101
P25S-70	M25x1,5	70	12	147

## NOTES

Bulkheads get same temperature class as the enclosure on which they are installed

Bulkheads shall be installed on enclosures with volume up to 160,6 dm<sup>3</sup> for group IIB+H<sub>2</sub> and up to 62,9 dm<sup>3</sup> for group IIC.

(\*) Dimension L may vary according to customer's requirements

### Example: P12S-70

Order Coding

Type  
**P** = bulkheads

Size and Threading  
**12** = M12x1,5  
**16** = M16x1,5  
**20** = M20x1,5  
**25** = M25x1,5

Material  
**S** = stainless steel AISI 316L

Length  
**70** = 70 mm

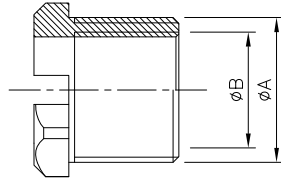
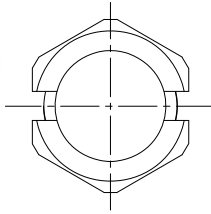
# ACCESSORIES for DRAINING and BREATHING VALVES and BULKHEADS

series  
VDF-VD-P

## THREADING ADAPTOR series VD04

Material: Stainless Steel AISI 316L (S)

Required for the installation of draining valves on Ex e enclosures with reduced wall thickness.

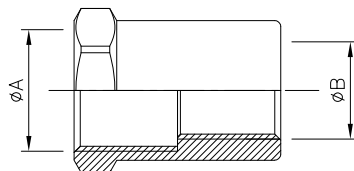
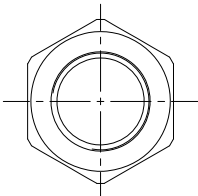


Order Coding	Dimensions	
	ØA	ØB
<b>VD0416S</b>	M20x1,5	M16x1,5
<b>VD0420S</b>	M25x1,5	M20x1,5
<b>VD0438S</b>	M20x1,5	3/8" NPT
<b>VD041S</b>	M25x1,5	1/2" NPT

## FEMALE - FEMALE REDUCER series PF

Material: Stainless Steel AISI 316L (S)

Required for the installation of Bulkheads on enclosures with reduced diameter cable entries.



Order Coding	Dimensions	
	ØA	ØB
<b>PF128S</b>	M12x1,5	M8x1,25
<b>PF1612S</b>	M16x1,5	M12x1,5
<b>PF2016S</b>	M20x1,5	M16x1,5
<b>PF2520S</b>	M25x1,5	M20x1,5
<b>PF12M18NS</b>	M12x1,5	1/8" NPT
<b>PF16M14NS</b>	M16x1,5	1/4" NPT
<b>PF20M38NS</b>	M20x1,5	3/8" NPT
<b>PF25M1NS</b>	M25x1,5	1/2" NPT

## LOCKNUTS series DL

Material: Stainless Steel AISI 316L (S)

Useful in order to avoid the loosening of valves and/or bulkheads and for the installation on Ex e enclosures with reduced wall thickness.



Order Coding	Dimensions
<b>DL12S</b>	M12x1,5
<b>DL16S</b>	M16x1,5
<b>DL20S</b>	M20x1,5
<b>DL25S</b>	M25x1,5

## GASKETS series SW

Material: White Nylon (N)

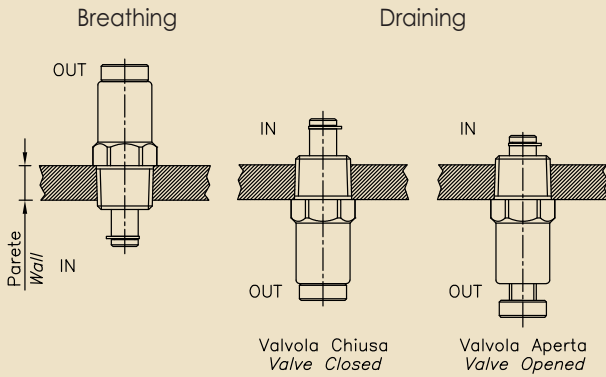
Useful to ensure the IP degree of protection of enclosure on which valves and/or bulkheads are installed.



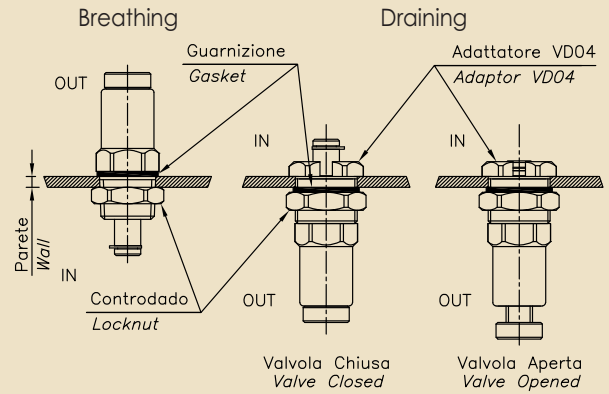
Order Coding	Dimensions
<b>SW12N</b>	M12x1,5
<b>SW16N</b>	M16x1,5
<b>SW20N</b>	M20x1,5
<b>SW25N</b>	M25x1,5

## VALVE series VDF

### Mode of Protection "Ex d"

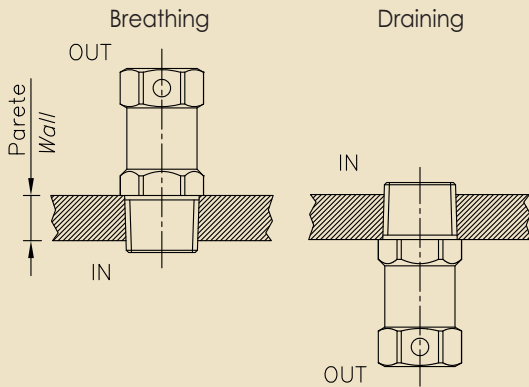


### Mode of Protection "Ex e"

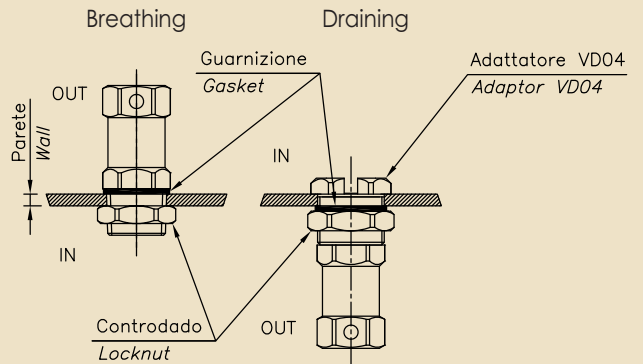


## VALVE series VD

### Mode of Protection "Ex d"

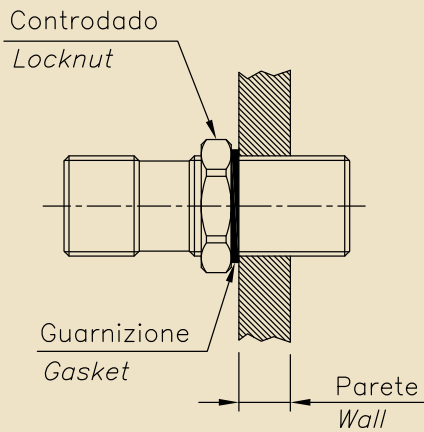


### Mode of Protection "Ex e"



## BULKHEADS series P

### Mode of Protection "Ex d"



### Mode of Protection "Ex e"

